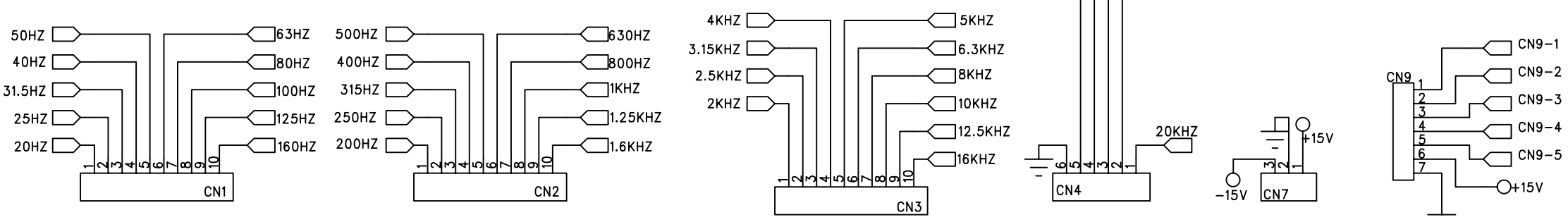
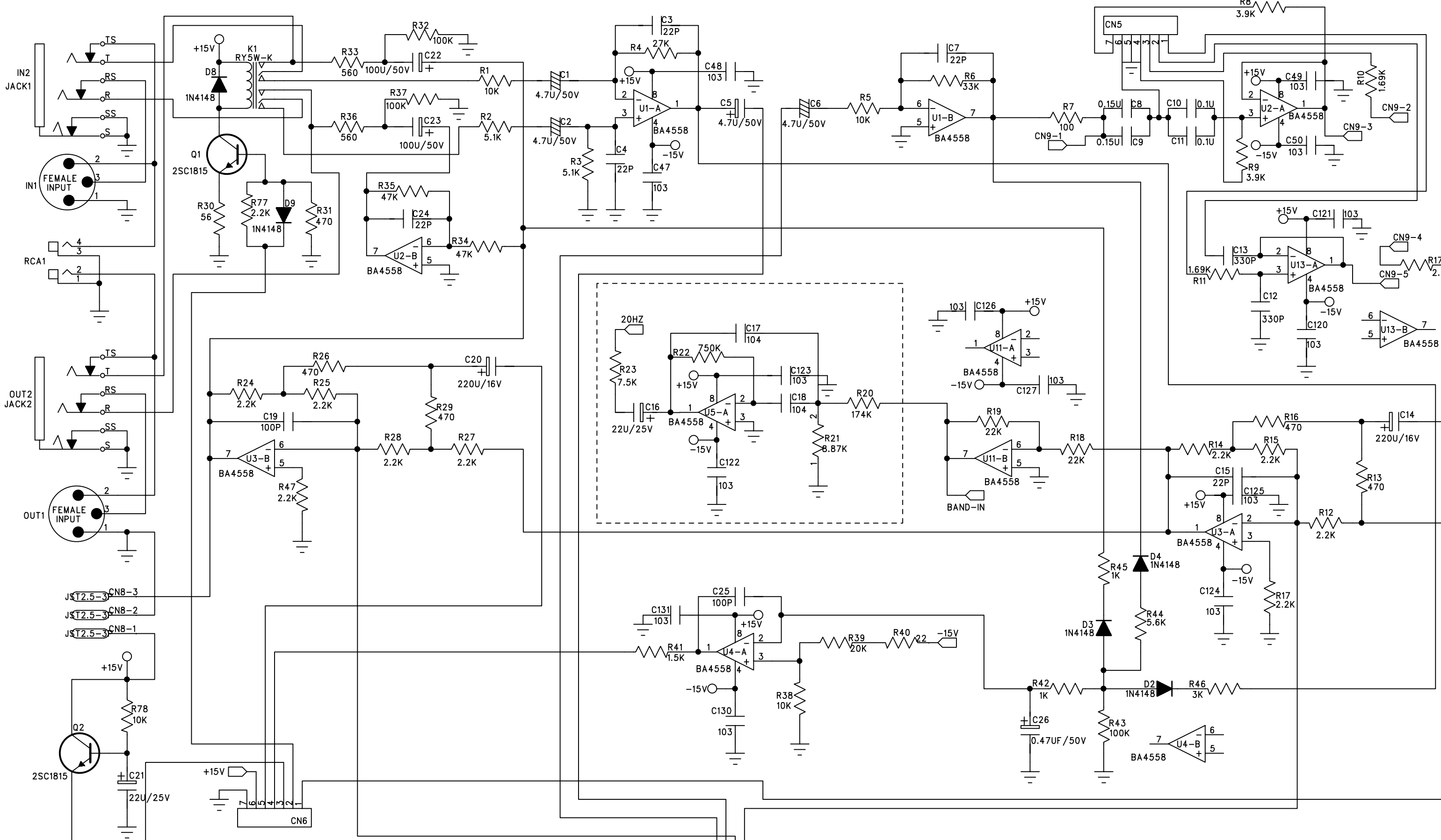


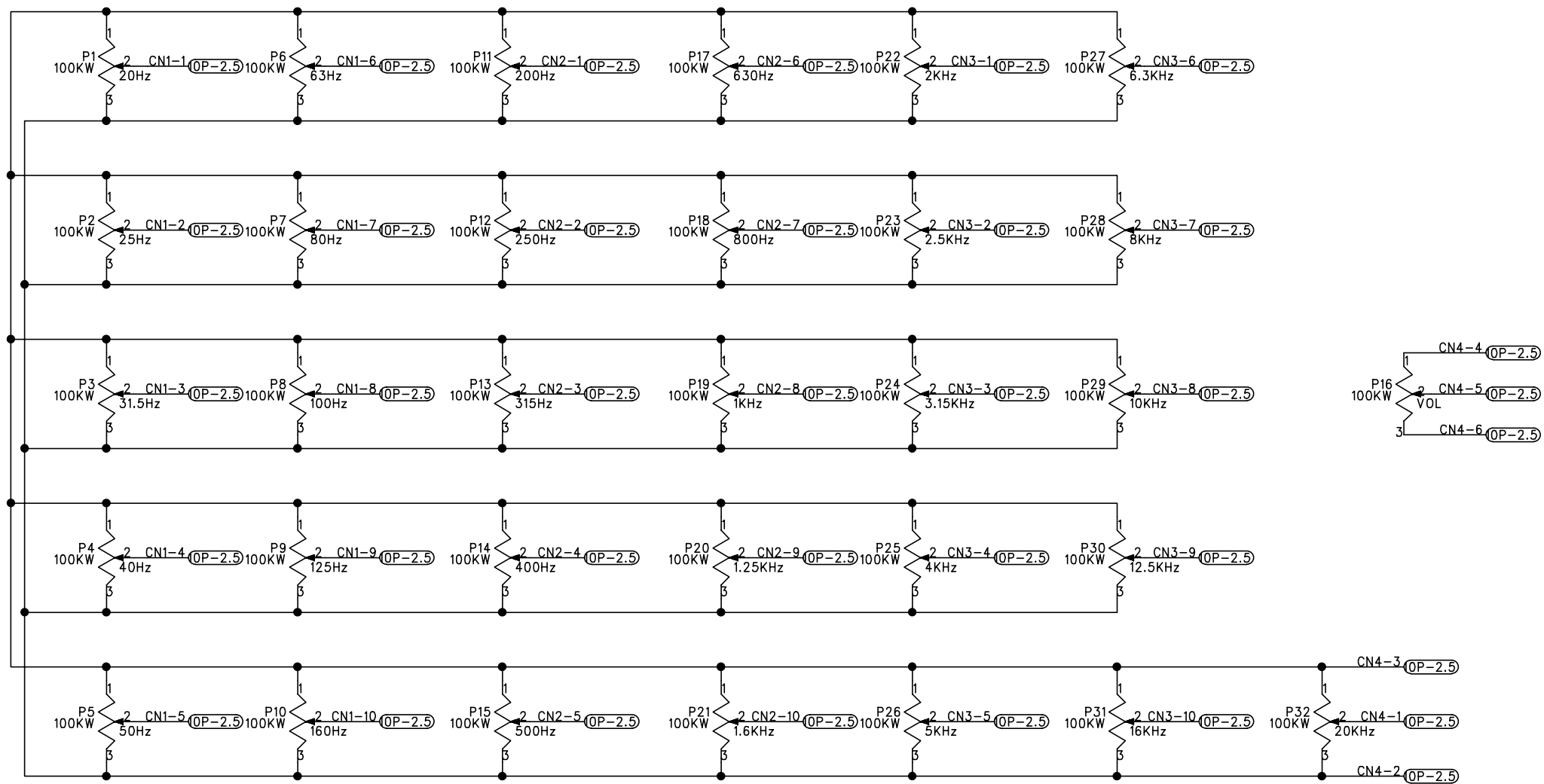
Title		P-1131HSW SCHMATIC	
Size A3	Number	Revision A	
Date:	06.28.2000	Sheet	1 of 1
File:	1131HSW.PCB	Drawn By:	



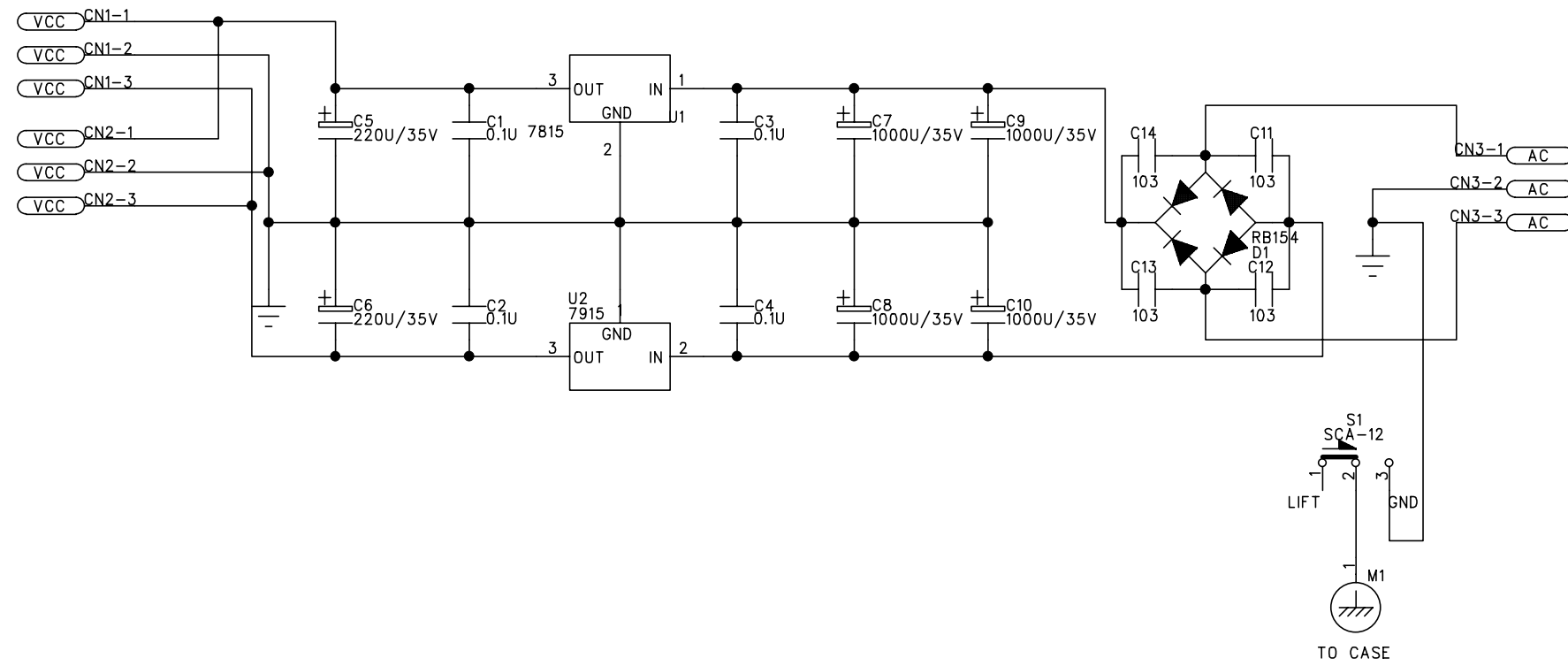
MODE 1 for 1131M TYPE
 MODE1 : 1,2,3 pin SHORT, 4,5 pin SHORT and 6,7pin SHORT of CN5
 CN9 not used

MODE 2 for 1131M TYPE
 MODE 2 : 2,3 pin SHORT and 4,5 pin SHORT of CN9
 CN5 not used

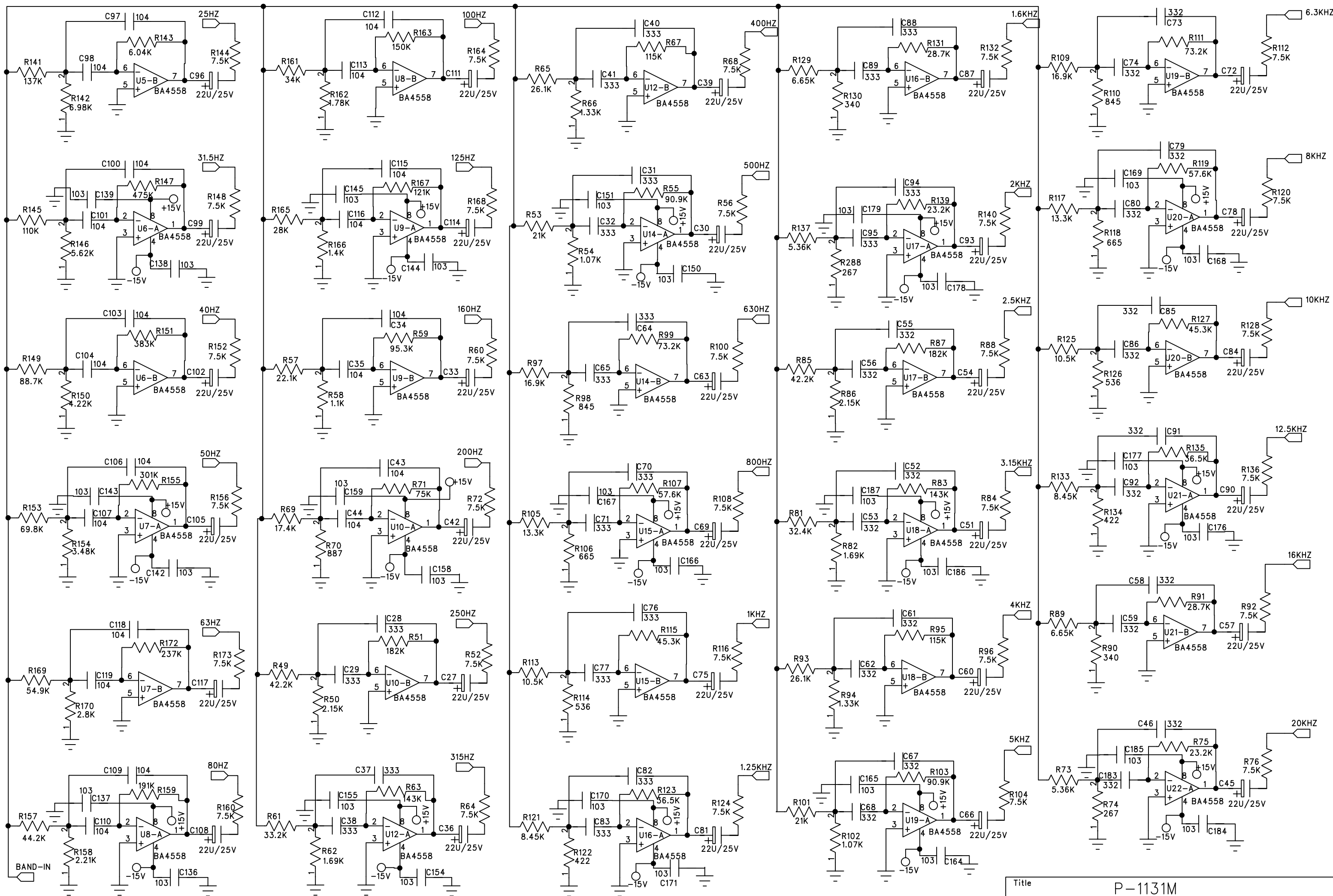
Title		P-113M	
Size	A3	Number	
Date: 08.10.2000		Sheet	1 of 2
File: 1131M.PCB		Drawn By:	
Revision		A	



Title P-1131VR SCHMATIC (SHORT VR)		
Size A3	Number	Revision A
Date:	03.01.2000'	Sheet 1 of 1
File:	1131VR.PCB	Drawn By:



Title			P-1215POWER SCHMATIC		
Size A3	Number	Revision		A	
Date:	05.26.2000'	Sheet	1	of	1
File:	1215PWR.PCB	Drawn By:			



Title			P-1131M		
Size	Number	Revision		A	
A3					
Date:	03.29.2000'	Sheet	2	of	2
File:	1131M.PCB	Drawn By:			