

# DC Power Control Box User Manual



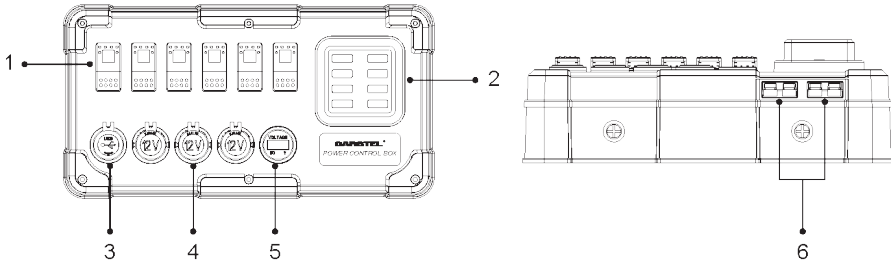
## Overview

A complete central power hub for your 4WD, caravan or camping remote power set up. This box contains 6 contura style illuminated rocker switches, 3 car accessory sockets (12V), USB charger, LED volt meter, all protected by a 6 way weatherproof fuse block. Solar and battery connections are provided by 2 Anderson SB50 style connectors which are individually fused with 30A blade fuses. The sides of the case have rubber grommets which provide penetrations for your DC wiring. Additional bus bar connections are available internally, with all wiring utilising standard spade connections. Plus there's plenty of space for additional wiring, relays etc inside if needed. It's easy to wire up your whole rig to the one compact control box!

## Features

- Pre-wired for simple installation
- Voltmeter
- 6 rocker switches
- Durable ABS case
- 3 car accessory sockets
- Dual USB (2.1A/1A) charging ports
- 6 Way fuse block with spare fuses
- Dual Anderson SB50 Style sockets for solar panel & battery
- 6 Cable entries
- Fused In put and output (30A)
- Includes switch icons and word labels

# Product Overview



- 6 x Backlit rocker switches
- 6 x Blade-type fuses and 2 x spare fuses
- 2 x USB Ports
- 3 x 15A CIG sockets
- Digital Voltage indicator
- 2 x 30A Anderson Style In/Out Plugs

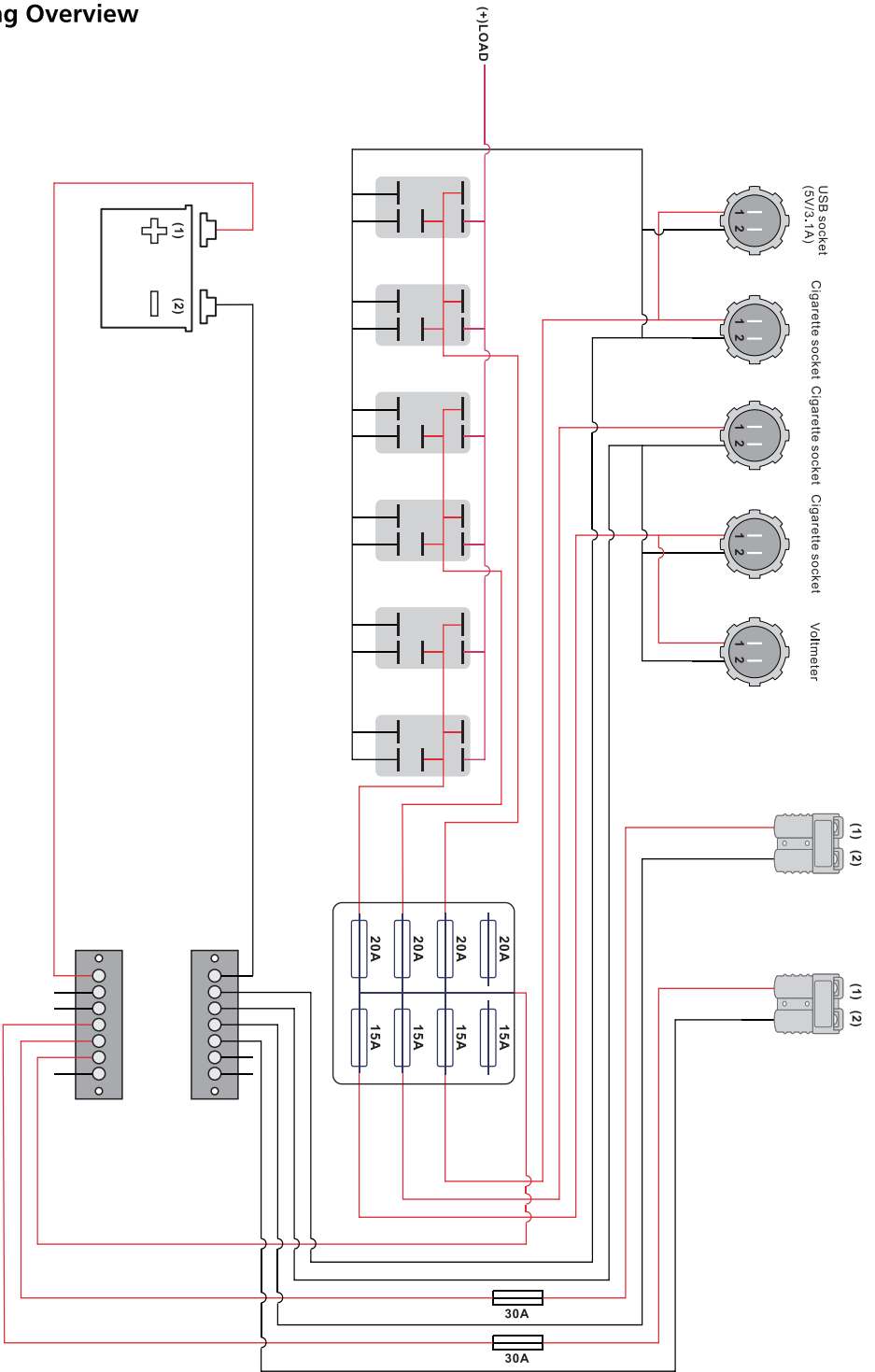
## SWITCH LABELS



## FUSE BOX LABELS

	12V DC	24V DC	ACCESSORY
AERATOR	AFT CABIN LIGHTS	ANCHOR LIGHT	AUTO PILOT
BAIT PUMP	BAITWELL	BATTERY	BATTERY CHARGER
BILGE	BILGE PUMP	BLOWER	BOW LIGHT
CABIN LIGHTS	CB RADIO	CHART PLOTTER	COMPASS LIGHT
OUTLETS	RADAR	RADIO	FRIDGE
RUNNING LIGHTS	SEARCH LIGHT	SPARE	SPREADER LIGHTS
STEAMING LIGHT	STEREO	STROBE LIGHT	TRICOLOR LIGHT
TRIM TABS	VHF	WASH DOWN	WATER PRESSURE
WATER PUMP	WINCHES	WINDLASS	WIPERS
DECK LIGHTS	DEPTH SOUNDER	ELEC-TRONICS	ENGINE HATCH
FAN	FISH FINDER	FISHING LIGHT	FLOOD LIGHTS
FUEL PUMP	FWD CABIN LIGHTS	GPS	HORN
INSTR. LIGHTS	INSTRUMENTS	INVERTER	KNOT METER
LIGHTS	MACERATOR PUMP	MAIN CABIN LIGHTS	NAV LIGHTS
UHF	LIGHT BAR	COM-PRESSOR	TV
USB	INPUT	OUTPUT	CHART PLOTTER
FREEZER	ELECTRIC MOTOR	TOILET	CELLULAR PHONE
CHARGER INVERTER	GAS ALARM	IGNITION	LIVWELL
REFRIG-ERATION	UTILITY	CABIN 2 LIGHTS	OUTLETS 2

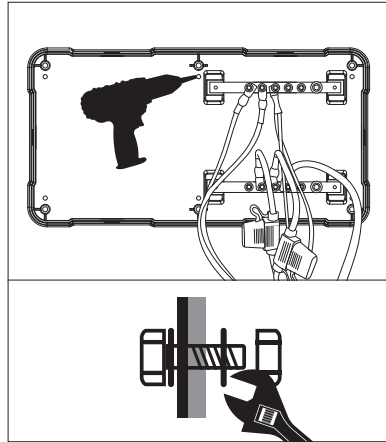
# Wiring Overview



# Installation

## 1. Mounting

- (1) Use screwdriver to remove the 6 screws at the corner of the lid, and open the Control Hub.
- (2) Ensure all wiring is connected and there are no internal terminals or studs loose.
- (3) Locate the position in your vehicle where you will be mounting your control hub.
- (4) Use the 6 holes at the bottom of the unit as a template to mark 6 holes with a pencil on your mounting surface.
- (5) Drill through these 6 premarked holes on your mounting surface using a drill.
- (6) Lift the control hub into position and insert the 6 bolts and washers into the pre drilled holes. Secure with a nut and washer on the rear. Tighten with a spanner until secure.
- (7) Close the lid carefully, and return the 6 screws to secure the control hub down.

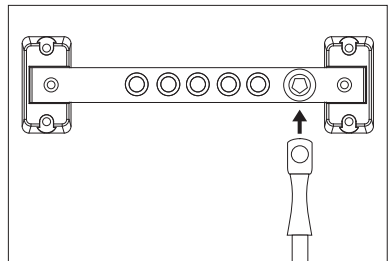


## 2. Connection

### CONNECTING THE CONTROL HUB TO BATTERY

Note: Ensure the wires are not connected to the battery before commencing.

- (1) Use one screwdriver to remove the 6 screws at the corner of the lid. Open the Control Hub.
- (2) Use a knife, cut the grommets on the side of the unit that your battery wires will run through. Push the battery wire through the grommet.
- (3) Use the spanner, remove the bolt and washer off both the positive and negative terminal posts on the rear of the control hub.
- (4) Attach the wire with the black (negative) terminal cover to the negative terminal post and the wire with the red (positive) terminal cover to the positive terminal. Replace the nut and washer and retighten with a spanner.
- (5) Close the lid carefully, and return the 6 screws to secure the control hub down.
- (6) Connect the other end of the wires to the battery by first attaching the wire with the red (positive) terminal cover to the positive terminal on your battery, and then attaching the wire with the black (negative) terminal cover to the negative terminal on your battery.
- (7) Ensure cables between the control hub and battery are adequately supported and not prone to rubbing, you may need to use cable ties to fix them in place.



## Specifications

Battery Cable Size: .....	6AWG recommended
Compatible Battery Type: .....	12V STD, GEL, AGM, CAL, LiFePO4
Voltage Voltmeter: .....	6-32V
6 x Blade Type Fuse Size: .....	3 x 20A, 3 x 15A
2 x Additional Spare Fuses: .....	1 x 20A, 1 x 15A
6 x Rocker Switch Rating: .....	20A Max
3 x Cigarette Sockets: .....	12V 10A Max
2 x USB Sockets: .....	2.1A 5V
Outer Material: .....	ABS
Dimensions: .....	367 x 192 x 122 mm

## Wiring in Switches

The following instructions are for wiring in the 6 switches and connecting the unit to your battery.

**Note: Ensure the unit is disconnected from the battery prior to attempting any wiring.**

(1) Use one screwdriver to remove the 6 screws at the corner of the lid. Open the Control Hub.

(2) Use a knife, cut the grommets on the side of the unit that your appliance wires will run through. Push the appliance wire through the grommet.

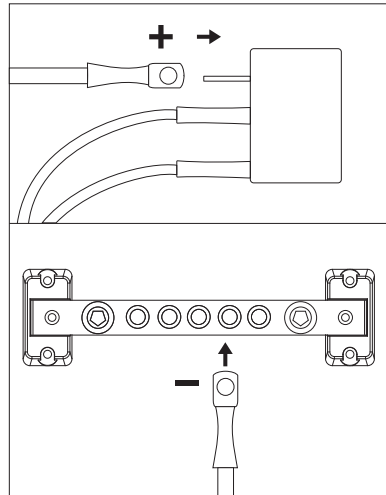
(3) Use the spanner, remove the bolt and washer off the negative terminal post on the rear of the control hub.

(4) Attach the appliance wire with the black (negative) terminal cover to the negative terminal post. Replace the nut and washer and retighten with a spanner.

(5) Attach the appliance wire with the red (positive) terminal cover to the terminal under the switch.

(6) Use the same way to connect all the appliances you need to the control hub.

(7) Close the lid carefully, and return the 4 screws to secure the control hub down.



## WARNING!

The lid of the unit must remain shut at all times when the battery is connected to the control hub  
Any 12V Installation work should be done by a professional, failing to do so may result in damage to your unit or vehicle

Ensure suitable gauge wiring is used

Do not allow any loose metal objects to fall inside the control hub or enter the ports

It is the customer's responsibility to ensure the unit is adequately mounted

Ensure the control hub is shut and the screws are tighter before attempting to power any devices

In order to prevent an accumulation of heat, ensure there is adequate ventilation to the control hub

Do not expose the control hub to excessive moisture or dust

Ensure the manual and warnings are understood

Altronic Distributors warrants this product for one year from date of purchase from Altronics or its resellers to the consumer. If this item is part of an installation or another product, please contact the installer or supplier for your warranty.

During the warranty period, we undertake to repair or replace your product at no charge if found to be defective due to a manufacturing fault. The warranty excludes damage by misuse or incorrect installation (i.e. failure to install and operate device according to specifications in the supplied instruction manual), neglect, shipping accident, or no fault found, nor by use in a way or manner not intended by the supplier.

For repair or service please contact your **PLACE OF PURCHASE**.

If this item was purchased directly from Altronics please make a warranty claim by:

**1. FOR MAIL ORDER CUSTOMERS (includes school and trade orders),**

- a) Calling your nearest store location and quoting your tax invoice number.
- b) Upon contacting Altronics, we will issue an R.A. (Return Authorisation). As Altronics have a number of service agents throughout Australia, a copy of the R.A. will be emailed, faxed or mailed to you with full instructions of how and where to send the goods. The freight for shipping goods back to Altronics for all repairs is at the customers expense.
- c) A copy of the R.A. form, (or at the very minimum, the R.A. number) must accompany the goods to effect the repair.
- d) Altronics will pay the return freight to the customer where the warranty claim has been accepted.
- e) Please quote the R.A. number in any correspondence to us.

**2. FOR OVER THE COUNTER PURCHASES to make a warranty claim, please return the goods to us in any of our stores, with a copy of your proof of purchase (tax invoice).**

- a) Upon leaving the goods at one of our stores, an R.A. number will be issued to you.
  - b) Once repaired, you will be contacted, advising that the goods are ready to be collected from the store.
- It is at Altronics discretion as to whether the goods will be repaired or replaced (whilst under warranty); and as to whether identical goods will be used to replace the item due to changes of models / products.

**Note:** Under no circumstances should you attempt to repair the device yourself or via a non-authorized Altronics service centre, as this will invalidate the warranty!

Our goods come with guarantees that cannot be excluded under the Australian Consumer Law. You are entitled to a replacement or refund for a major failure and for compensation for any other reasonably foreseeable loss or damage. You are also entitled to have the goods repaired or replaced if the goods fail to be of acceptable quality and the failure does not amount to a major failure.

Distributed by Altronic Distributors Pty. Ltd.  
Phone: (08) 9428 2199  
altronics.com.au

Revision 16/10/2020