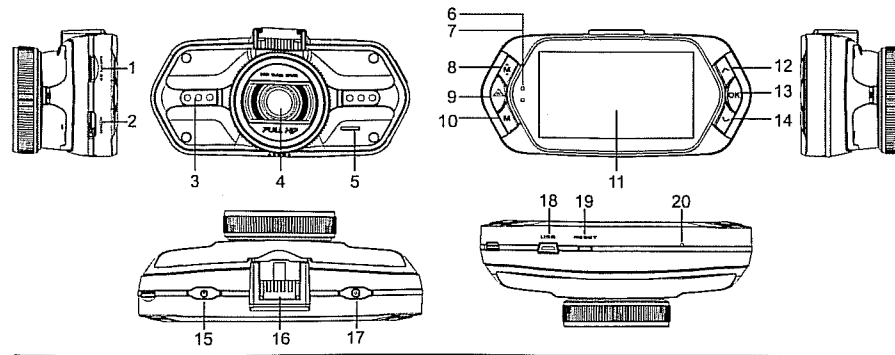


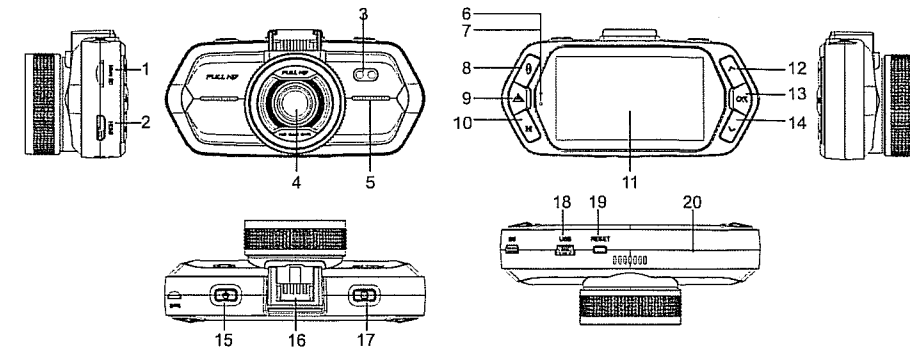
Product Pictures & Function

a Device Introduction.  
700E Device Introduction:

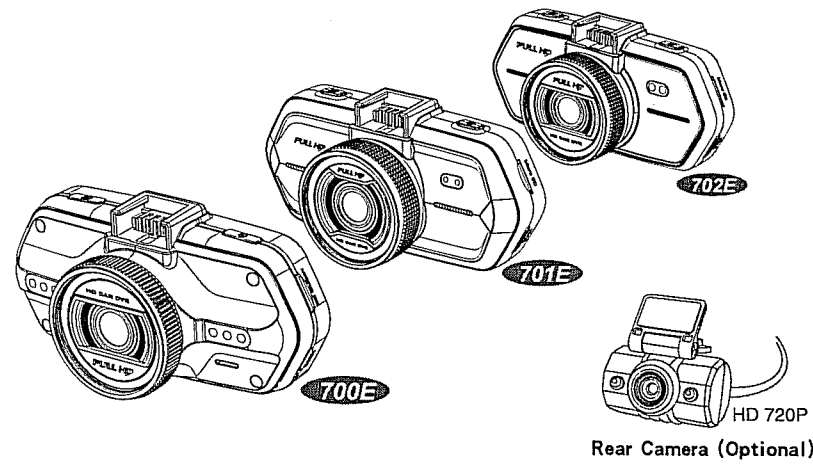


1. TF Card Slot	2. HDMI Port	3. LED Light
4. Lens	5. Speaker	6. Status Light (Blue)
7. Charging Light (Red)	8. Menu Button	9. File Protection Button
10. Mode Button	11. LCD Display	12. Up Button
13. OK Button	14. Down Button	15. Power Button
16. Holder Connector	17. Photo Button	18. USB Port
19. Reset Button	20. Microphone	

701E Device Introduction:

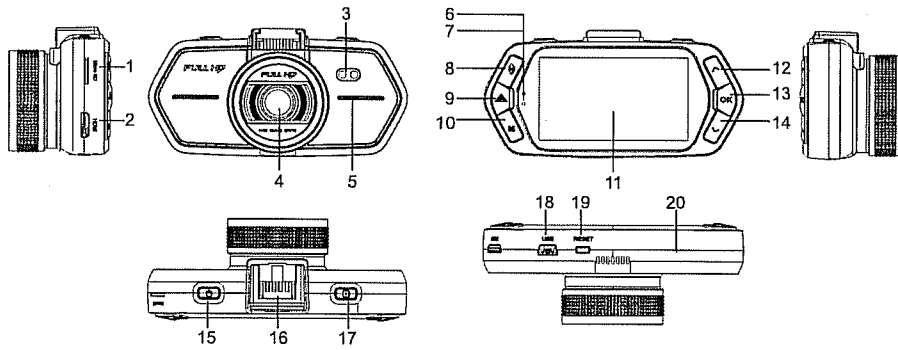


1. TF Card Slot	2. HDMI Port	3. LED Light
4. Lens	5. Speaker	6. Status Light (Blue)
7. Charging Light (Red)	8. Menu Button	9. File Protection Button
10. Mode Button	11. LCD Display	12. Up Button
13. OK Button	14. Down Button	15. Power Button
16. Holder Connector	17. Photo Button	18. USB Port
19. Reset Button	20. Microphone	



• 1080P full HD • WDR Function (Wide Dynamic Range) • Lighting Keyboard • CPL & UV Lens available

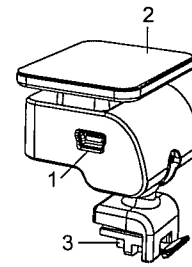
702E Device Introduction:



1. TF Card Slot	2. HDMI Port	3. LED Light
4. Lens	5. Speaker	6. Status Light (Blue)
7. Charging Light (Red)	8. Menu Button	9. File Protection Button
10. Mode Button	11. LCD Display	12. Up Button
13. OK Button	14. Down Button	15. Power Button
16. Holder Connector	17. Photo Button	18. USB Port
19. Reset Button	20. Microphone	

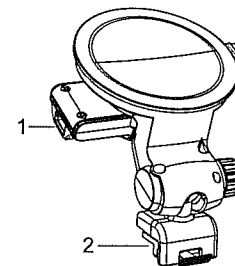
3.0 Holder Introduction:

1. Power Input
2. 3M Sticker for Holder
3. Holder connect with Device Port



2.0 Holder Introduction:

1. Power Input
2. Holder connect with Device Port



Note: Only one Holder for one Device, the details please check package

b. Button Function

**Power Button**

Press this button for 2-3 sec. to turn on/ off the device

**Photo Button**

In video mode, press this button to take picture  
In playback mode, when replaying video, press this button to take picture from current video

**Reset Button**

When the device crashed, press this button to shut down the device

**Menu Button**

Press this button during standby status or playback mode, menu list of current mode will appear  
When the device is recording, press this button to set the flash light status(auto/off/on)

**File Protection Button**

In video mode, press this button to set the recording video to be protected manually, so as to prevent it from being overwritten by loop recording  
When file protection is active, the icon will appear on LCD display

**Mode Button**

The device only have two mode, video mode and playback mode  
Press this button during standby status, can switch device in video mode and playback mode.  
When the device is in recording, press the button to open/close the display

**Up Button**

Press this button during standby status or video mode to switch dual camera mode( while connect rear camera effected)  
In menu setting, press this button to up item  
In playback mode, press this button to choose previous file  
In playback mode, when playing video file, press this button to backward playing

**OK Button**

In video mode, press this button to start/ stop recording.  
In playback mode, press this button to play/pause video file  
In menu setting, press this button to confirm the menu setting

**Down Button**

In video mode, press this button to open/close the recording sounds  
In playback mode, press this button to choose next file  
In playback mode, when playing video file, press this button to forward playing

c. LED Light Status List

LED Light	Status	Meaning
Status Light( Blue)	ON	Device is standby or Playback Mode
	Flash	Device is in Recording
	Off	Device is off
Charging Light (Red)	On	Charging Battery
	Off	Charging finish

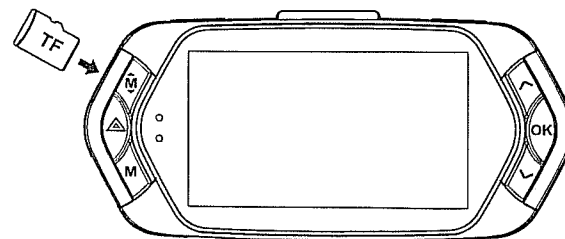
d. Product Accessories

1. Car DVR*1	2. Car Charger*1	3. Camera Holder*1	4. 3M Sticker*1
5. Sucker*1	6. USB Cable*1	7. User's Manual*1	

Basic Operation

a. TF Card Installation

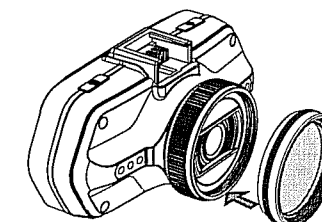
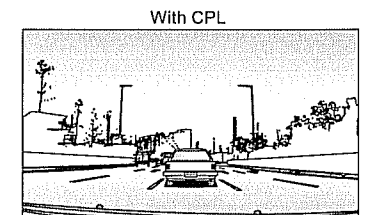
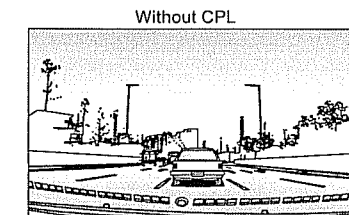
Install the TF card into TF car slot as picture shown:



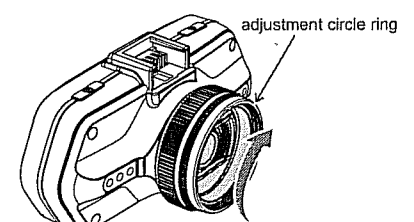
The same location and way for 700E, 701E, 702E to install the TF card.

b. CPL Installation(Optional)

CPL: Circular-Polarizing Filters, could reduce the reflection of inner car on the car window



Install CPL onto device thru screw on device camera.

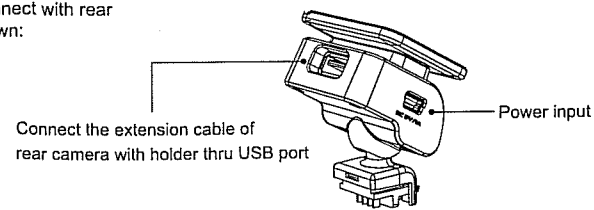


And after install CPL onto device and install device onto car window, rotate the adjustment circle ring on CPL to get the good Polarized effect to car window reflection.

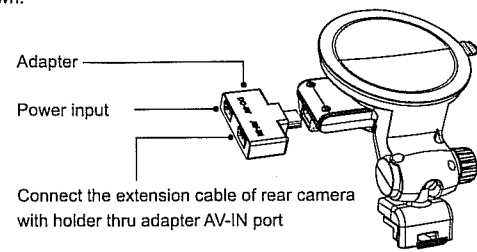
The same way for 700E, 701E, 702E install CPL Lens and UV Lens.

**c. Rear Camera (Optional) Installation**

3.0 Camera holder connect with rear camera as picture shown:

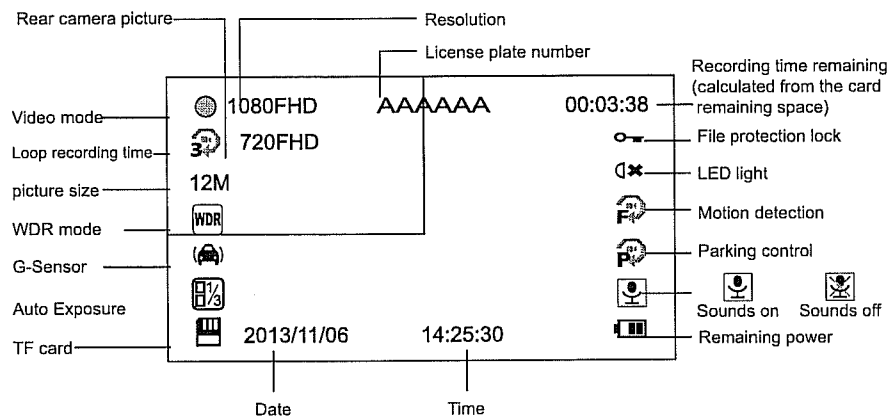


2.0 Camera holder connect with rear camera as picture shown:



9

In video mode, in recording status, LCD display will be shown as below:



Note: Only connect with rear camera the LCD display will show 720P and picture in picture (without rear camera no display)

12

Setup	Menu Item	Remark
Date	YY/ MM/ DD	Set date/ time
Power on delay	Off/ 10sec/ 20sec/30sec	Set power on delay
Power off delay	Off/ 10sec/ 20sec/ 30sec	Set power off delay
Auto Power Off	Off/ 1min/ 3min/ 5min	Set this item, in standby status, if no motion the device will turn off auto in set time
Beep Sound	Off/ On	Set beep sound off/ on
Screen savers	Off/ 30sec/ 60sec	Set this item, if no motion, the screen will closed depend on the set time, into sleep mode, enter free button can wake up. Note: press up button can closed manual or set close screen on menu list. it will light press any button.
Keyboard backlight	Auto/ Off/ On	To set the key light function. when set "auto", the key light on/ off will synchronize with LCD screen, when LCD screen is on, key light will on, when LCD screen is off, key light will be off. When this value set "on" the key light will be on all the time after device is powered on. when this item set "off", key light will be off all the time.
Lamp setting	Auto/ Off/ On	Set lamp setting auto/ off/ on
TV Mode	NTSC/ PAL	Set TV mode
Frequency	50Hz/ 60Hz	Set frequency
Language	English/ Russian/ etc	Set language
Format	Cancel/ OK	Format All data will be deleted
Default Setting	Cancel/ OK	Return menu setting to defaults
Version	CR700E_V1.3_20150410	

15

**d. Power Supplied**

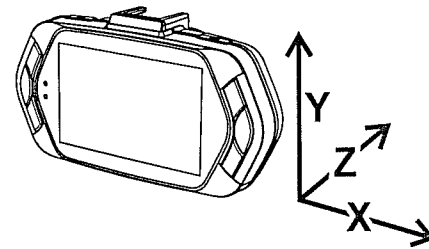
Connect USB port and car cigarette with car charger, then start engine, the device will automatically power on and recording  
Connect device USB port available

Note: There are two mini USB port, one is on device, another is on camera holder

**e. G- Sensor Function**

When there is a collision, Gravity Sensor (G-Sensor) can get the direction and exact data of collision. Meanwhile, according to setting value in G-Sensor sensitivity, the device determine whether set current recorded video to protection mode or not, which will not be overwritten by loop recording.

G-Sensor direction as below picture:



700E, 701E, 702E G-Sensor direction are same.

10

**g. Take picture**

In video mode, in any time, press photo button to take picture  
In playback mode, when video playing, press photo button to take snapshot of current video

**i. Playback mode**

Press mode button to enter playback mode, then press menu button to choose preview video/picture file.  
Use the direction button to control playback operation.

Preview	
Up Button	Previous file
Down Button	Next file
OK Button	Confirm
Mode Button	Switch mode

Play	
Up Button	Playback
Down Button	Forward playing
OK Button	Confirm
Menu Button	Enter menu list (delete/ protect/slide show)
Mode Button	Back to nine grids preview

13

**b. In playback mode:**

Delete file	No/ Only this/ All	Delete currently or all unlock file, lock file need to be unlock then can delete
File Protection	protect current file/ unprotected current file	protect all file/ unprotected all file
Slide show	2sec/ 5sec/ 8sec	If set this item, the video will automatically play one by one

**Connection**

**A. Connect to TV**

The device can output the video to Video equipment (TV or Monitor) to playback the data or adjust the setting.

1. Insert SD card to device
  2. Connect the HDMI cable to the video equipment (TV or Monitor) and the device
  3. Power on the device
  4. Adjust the channel of the video equipment to HDMI input
  5. Installation completed
- Note: When connect with TV, the device LCD screen will automatically shut off.

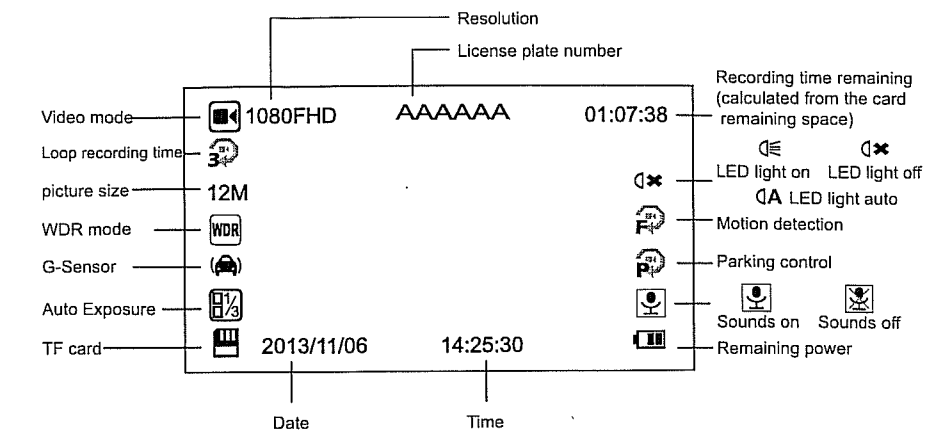
**B. Connect to Computer**

1. Insert SD card to device
2. Connect USB cable to device and computer, "Memory/Video" will be shown on screen, and choose memory, the removable disk will be shown on computer.
3. Enter the removable disk, you could replay picture file or video file
4. Connect computer with device, choose video, can set device in normal

16

**f. Video Mode**

In video mode, in standby status, LCD display will be shown as below:



11

**Menu Setting**

The device has two mode: Video Mode and Playback Mode.

**a. Video Mode:**

Video	Menu Item	Remark
Video Resolution	1080p/720p/WVGA	Set video resolution
Dual Record	Off/ On	Set Dual Record off/ on
Loop Setting	Off/ 2min/3min/5min	Set recording time
Picture Resolution	12M/8M/5M/2MHD	Set picture resolution
Exposure	-2.0~+2.0	Set "+" can avoid exposure weaker, set "-" avoid exposure stronger
White Balance	Auto/ Daylight/ Cloudy/ Tungsten/ Fluorescent	In normally choose auto, if in auto status no have nature color, please set white balance depend on light condition
WDR	Off/ On	Set WDR off/ on
Motion Detection	Off/ Low/Medium/ High	Set motion detection
Parking Monitor	Off/ On	Set parking monitor off/on
G SENSOR SET	Off/ Low/ Medium/ High	Set G Sensor
Record Audio	Off/ On	Set record auto off/ on
Date Stamp	Off/ On	Set date stamp off/on
Plate number on movie	AAAAAA	Set plate number
Car Plate Stamp	Off/ On	Set car plate stamp
Image Rotation	Off/ On	Set image rotation

14

**Product Specification**

Chipset	NTK96655	
Camera	Resolution	3Mega CMOS Sensor, AR0330
	View Angle	110° Horizon Angle in 1080P
Video	Standard	MOV file, H.264
	Resolution	1920x1080 30fps / 1280*720 30fps
Rear Camera (Optional)	720p rear camera	
Auto	Built-in Microphone, could be turn off by menu or button	
Still Image	4032*3024 / 3264*2448 / 2592*1944 / 2048*1536 / 1920*1080	
LCD	2.7Inch LCD Display	
G-Sensor	When encounter heavy hit, the device will automatically protect the latest files, so they can't be deleted	
Filter Lens (Optional)	CPL: Circular-Polarizing Filters, could reduce the reflection of inner car on the car window UV Lens: Protect the DVR lens	
Other Function	Light Keyboard for Night Operation	
	Uninterrupted Cycle Recording, Over-write first file if memory is full, no interruption between Video File	
	File Protection Function, once file is protected, it wouldn't be delete during cycle recording Automatically Recording after Car power on	
SD Card Slot	Support Micro SD Card, up to 32GB	
OSD Language	English/ Chinese/ Russian/ etc	
Interface	USB	USB 2.0
	AV Terminal	HDMI
Battery	700E, 701E built-in 500mAh Battery, 702E built-in 250mAh Battery	
Power	12~24V Car Charger	
Color	Black	
Size	700E: 103*51*40mm 701E: 103*51*41mm 702E: 103*51*41mm	

17