

## Operating Instructions

### Pre-Built 5, 12 & 24V DPDT Relay Boards

Please read these instructions thoroughly before use.

#### Models Available

- S 4440 5V Single Board
- S 4441 5V 5 Way Strip
- S 4442 12V Single Board
- S 4443 12V 5 Way Strip
- S 4444 24V Single Board
- S 4445 24V 5 Way Strip

#### General description:

These handy relay boards are fitted with 5V, 12V or 24V relays. They are available in single boards or 5up strips with “snap-off” perforated PCB.

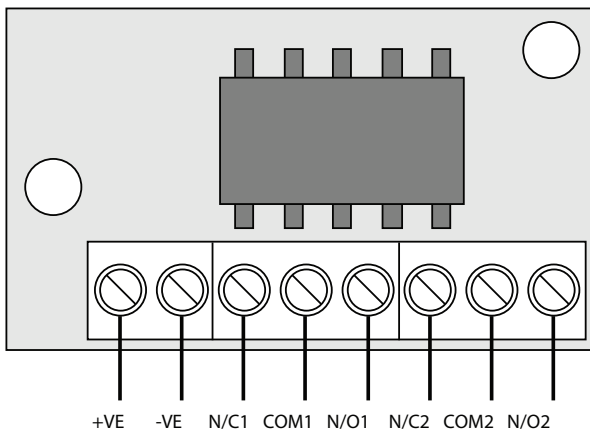
Each relay operates independantly and two sets of changeover contacts are provided.

An on board LED illuminates when each relay is activated.

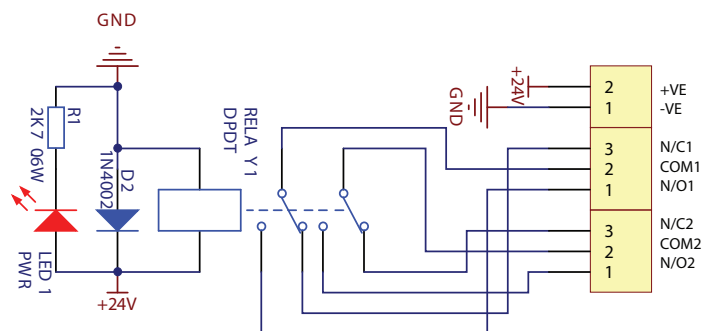
#### Features:

- LED indicator
- “Snap off” perforated PCB
- Dual changeover contacts

S 4440 Connections



S 4440 Schematic Diagram



### IMPORTANT NOTES:

- DO NOT EXCEED THE LOAD RATING OF THE RELAY BEING USED.
- CHECK WIRING CAREFULLY BEFORE OPERATING. ENSURE THE POLARITY OF ALL WIRES ARE AS MARKED ON THE PCB. FAILURE TO DO SO MAY CAUSE DAMAGE TO THE BOARD OR CONNECTED EQUIPMENT.