

Lithium Iron Phosphate (LiFePO₄) Battery Charger
14.6V (12V) 5A

Operating Instructions



Suitable For



Backup power systems



Mobility Scooters



Motorised Golf Buggies



Campers & Caravans

Package Contents

- Battery Charger
- Cable with battery alligator clips
- Cable with o-ring connectors
- Mains plug power cable
- Instruction Manual

Features

- Plug and charge
- Can be left permanently on charge
- Interchangeable charge leads

M 8538 Lithium Iron Phosphate (LiFePO4) Battery Charger

Overview

This compact charger is suitable for charging Lithium Iron Phosphate batteries (LiFePO4 type) from mains power. It can be left permanently connected to the battery ensuring batteries are ready to go when required. Ideal for motorised golf buggies, mobility scooters, seldom used caravans and campers etc. Includes ring terminal and crocodile clips for easy direct connection to the battery. A two state indicator displays when the charger is outputting greater than 0.5A to 5A (red – charging), or less than 0.5A (green – charged/battery maintenance charging). Suitable for use with 12.8V LiFePO4 batteries only.

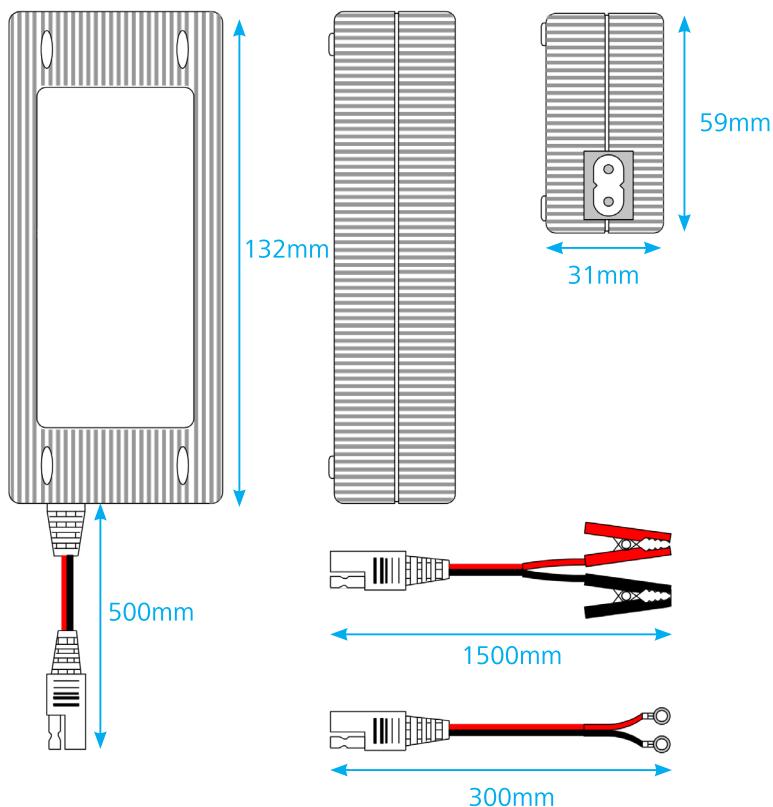
Specifications

Operating voltage:	200-240V a.c. 50/60Hz
Input Power (No Load):	50mA 240V a.c. 50/60Hz
Input Power (Loading):	1.5A 240V a.c. 50/60Hz
Operating Temperature Range:	-29°C to 45.5°C
Output DC voltage:	14.6V
Output DC current:	0.5A-5A (charging), <0.5A (maintenance)
Battery Chemistry:	LiFePO4 Lithium
Efficiency:	88% at min rated input and output
Dimensions:	132L x 59W x 31Dmm

Instructions for use

- Make sure appliance is turned off
- Connect the charger leads positive to positive (red), negative to negative (black)
- Ensure all connections are secure
- Switch charger on. Red light indicates charging. Green light indicates charged.
- Charging is automatic and can be left connected once charged.

Product Diagram



SAFETY INSTRUCTIONS

Please read through the operating instructions completely before operating the device. They contain important information for correct operation.

ONLY SUITABLE FOR: Lithium Iron Phosphate (LiFePO₄) type batteries. NOT SUITABLE for SLA or Gel batteries.

The warranty/guarantee will be void if damage is incurred resulting from non-compliance with these operating instructions! We assume no liability for any consequential damage! We do not assume any liability for damage to property or personal injury caused by improper use or the failure to observe the safety instructions!

M 8538 Lithium Iron Phosphate (LiFePO4) Battery Charger

Altronic Distributors warrants this product for one year from date of purchase from Altronics or its resellers to the consumer. If this item is part of an installation or another product, please contact the installer or supplier for your warranty.

During the warranty period, we undertake to repair or replace your product at no charge if found to be defective due to a manufacturing fault. The warranty excludes damage by misuse or incorrect installation (i.e. failure to install and operate device according to specifications in the supplied instruction manual), neglect, shipping accident, or no fault found, nor by use in a way or manner not intended by the supplier.

For repair or service please contact your **PLACE OF PURCHASE**.

If this item was purchased directly from Altronics please make a warranty claim by:

1. FOR MAIL ORDER CUSTOMERS (includes school and trade orders),

- a) Calling your nearest store location and quoting your tax invoice number.
- b) Upon contacting Altronics, we will issue an R.A. (Return Authorisation). As Altronics have a number of service agents throughout Australia, a copy of the R.A. will be emailed, faxed or mailed to you with full instructions of how and where to send the goods. The freight for shipping goods back to Altronics for all repairs is at the customers expense.
- c) A copy of the R.A. form, (or at the very minimum, the R.A. number) must accompany the goods to effect the repair.
- d) Altronics will pay the return freight to the customer where the warranty claim has been accepted.
- e) Please quote the R.A. number in any correspondence to us.

2. FOR OVER THE COUNTER PURCHASES to make a warranty claim, please return the goods to us in any of our stores, with a copy of your proof of purchase (tax invoice).

- a) Upon leaving the goods at one of our stores, an R.A. number will be issued to you.
- b) Once repaired, you will be contacted, advising that the goods are ready to be collected from the store.

It is at Altronics discretion as to whether the goods will be repaired or replaced (whilst under warranty); and as to whether identical goods will be used to replace the item due to changes of models / products.

Note: Under no circumstances should you attempt to repair the device yourself or via a non-authorized Altronics service centre, as this will invalidate the warranty!

Our goods come with guarantees that cannot be excluded under the Australian Consumer Law. You are entitled to a replacement or refund for a major failure and for compensation for any other reasonably foreseeable loss or damage. You are also entitled to have the goods repaired or replaced if the goods fail to be of acceptable quality and the failure does not amount to a major failure.