



C 5220

10" Outdoor 150W Subwoofer Speaker
Operating Instructions



C 5220 10" Outdoor 150W Subwoofer Speaker

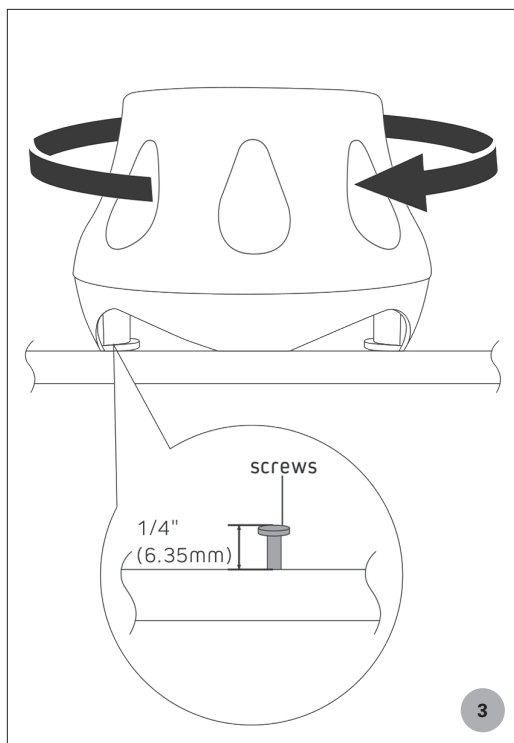
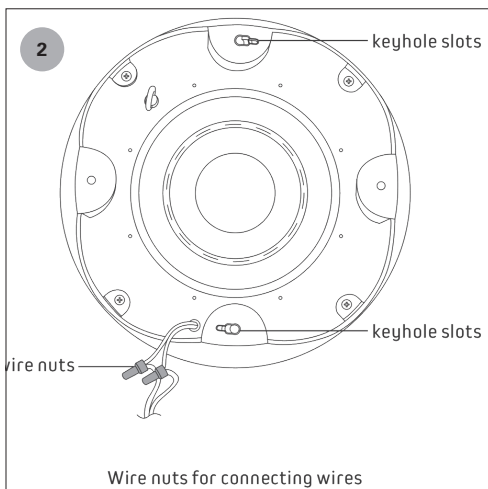
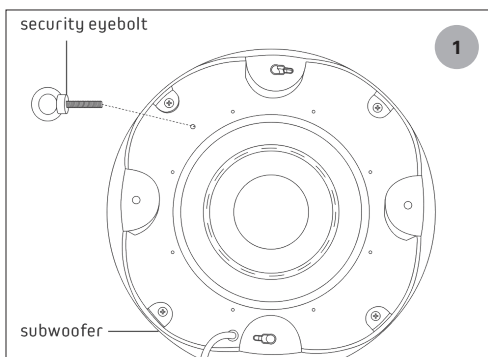
Installation

- Determine where you want to locate the subwoofer.
- Measure the center-to-center distance between the key-hole slots and install two mounting screws into the deck, leaving 1/4" of the screws exposed above the surface.
- Place the subwoofer onto the pan head screws and rotate the C 5220 clockwise so that the key-hole slots lock down onto the pan head screws.

Garden Placement

You may locate C 5220 anywhere you can run speaker wire. If you place your subwoofer in a garden bed, on grass, mulch or upon soft ground, we recommend you place it on a paver or other hard surface and remove all gravel or debris prior to installation. This will prevent plants, weeds, mulch or dirt from building-up underneath the subwoofer, which must remain clear for optimum performance and to prevent damage to driver.

Note: For anti-theft security and permanent placement the C 5220 has a built-in eyebolt that enables you to anchor it to its location.



C 5220 10" Outdoor 150W Subwoofer Speaker

Safety Instructions

- Please read the instructions carefully before installation and use. Keep the manual safe for future reference.
- When installing C 5220 speaker outside do not submerge or place it in direct contact with water (e.g., ponds, waterfalls, fountains).
- Damage to the woofer may occur if the speaker is dropped or hit, - resulting in no sound or distorted sound.
- Use only approved and certified wiring in your installation, do not stretch or place the wire in contact with sharp objects.
- Never overdrive your speakers to the point of distortion and always reduce volume prior to switching input sources (e.g. FM to CD).
- Prior to removing cables ensure all power to your amplifier and other components is turned OFF.

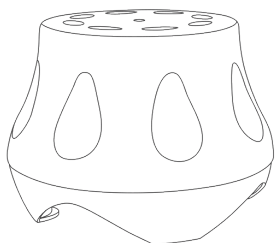
Care and Maintenance

Make sure to turn all equipment off before cleaning. The case only needs occasional dusting. Please do not touch the drive units. Do not clean the speaker with chemical solvents as this may damage the paint surface. Clean with a dry cloth.

Specifications

Woofer (Passive)	10" Polypropylene Cone
RMS Power	150W
Frequency Response $\pm 3\text{dB}$	50Hz-300Hz
Nominal Impedance	4 Ω
Sensitivity (1W/1M)	86dB
IP Level	IP 65
Dimension	310x420x420mm

Package Contents



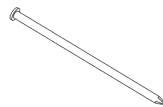
subwoofer



security eyebolt



wire nuts X2



screws X2



user manual