



A 4115 15W Stereo Amplifier
OPERATING INSTRUCTIONS



Distributed by Altronic Distributors Pty. Ltd. Perth. Western Australia.
Phone: 1300 780 999 Fax: 1300 790 999
Internet: www.altronics.com.au

Proudly Assembled in Australia

REDBACK A 4115 15W Stereo Amplifier

OVERVIEW

The Redback A 4115 stereo amplifier is super compact and ideally suited to smaller PA system installations. Designed around the National TDA1519 IC it offers virtual "destruction proof" operation even under severe misuse such as over voltage, over temperature, over load and short circuit speaker line conditions. The amplifier is extremely stable even when microphone and speaker cables are run together over long distance. The unit will automatically shut down when overloaded and will restore to normal operation when the fault condition is removed.

The A 4115 can be used as a stand alone/ bench mount amplifier or can be rack mounted when used in conjunction with optional hardware. The amplifier can be operated from either 12-14V DC or 240V AC . This versatility makes it ideal for mobile applications such as tour buses, boats etc.

FEATURES

- 15W RMS Output
- 1 balanced XLR and unbalanced jack mic input
- 1 Music input (3.5mm)
- 1 Auxiliary input
- 4-16Ω output
- 240VAC / 12-14VDC operation
- Headphone Socket

TROUBLE SHOOTING

NO POWER

(Power LED light does not illuminate) Check mains fuse. Only replace with M205, 240V AC 2A rated fuse.

DISTORTED OUTPUT

Check that the speaker type is correct for the output that you are using. Check for any short circuits on the speaker line.

VERY LOW OUTPUT

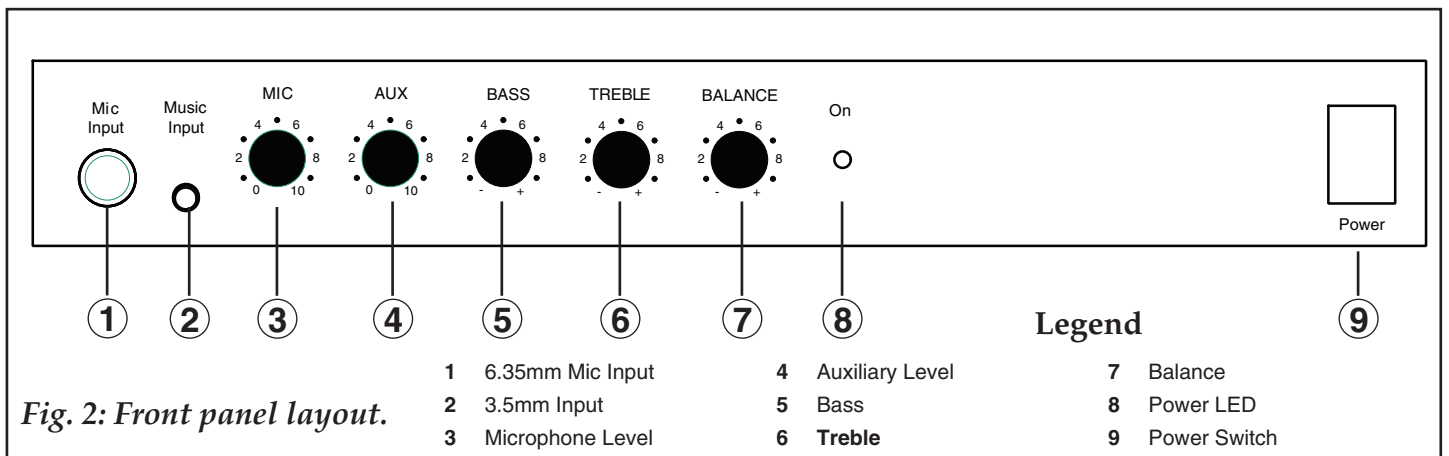
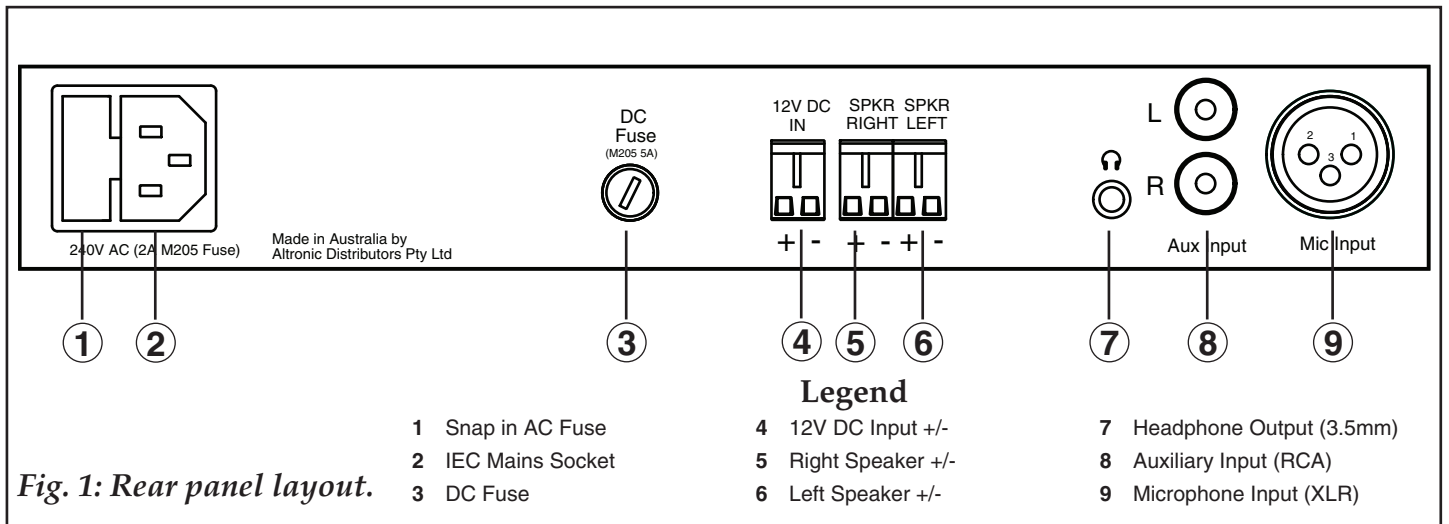
Make sure that the input is the correct level (check for shorted connectors). Check for any short circuits on the speaker line.

CONTINUALLY BLOWS FUSES

Make sure that the speaker line is not shorted. Check also speaker types, ratings and if on correct output.

AMPLIFIER KEEPS ON CUTTING IN & OUT

Check speaker types, ratings and for any short circuits on the speaker line.



REDBACK A 4115 15W Stereo Amplifier

