



***A 4016 15W Public Address Amplifier***  
**OPERATING INSTRUCTIONS**



Distributed by Altronic Distributors Pty. Ltd. Perth, Western Australia.  
Phone: 1300 780 999 Fax: 1300 790 999  
Internet: [www.altronics.com.au](http://www.altronics.com.au)

***Proudly Assembled in Australia***

# REDBACK A 4016 15 Watt Amplifier

## OVERVIEW

The Redback A4016 PA amplifier is super compact and ideally suited to smaller PA system installations. Designed around the National TDA1519 IC it offers virtual "destruction proof" operation even under severe misuse such as over voltage, over temperature, over load and short circuit speaker line conditions. The amplifier is extremely stable even when microphone and speaker cables are run together over long distance. The unit will automatically shut down when overloaded and will restore to normal operation when the fault condition is removed.

The A4016 can be used as a stand alone/ bench mount amplifier or can be rack mounted when used in conjunction with optional hardware. Up to two units can be fitted side by side within 1RU of rack space. The amplifier can be operated from either 12-14V DC or 240V AC . This versatility makes it ideal for mobile applications such as tour buses, boats etc.

## FEATURES

- 15W RMS Output
- 1 balanced XLR and unbalanced jack mic input
- 1 Auxiliary input
- 4-16Ω output
- 240VAC / 12-14VDC operation
- Headphone Socket

## TROUBLE SHOOTING

### NO POWER

(Power LED light does not illuminate)

Check mains fuse. Only replace with M205, 240V AC 800mA rated fuse.

### DISTORTED OUTPUT

Check that the speaker type is correct for the output that you are using. Check for any short circuits on the speaker line.

### VERY LOW OUTPUT

Make sure that the input is the correct level (check for shorted connectors). Check for any short circuits on the speaker line.

### CONTINUALLY BLOWS FUSES

Make sure that the speaker line is not shorted. Check also speaker types, ratings and if on correct output.

### AMPLIFIER KEEPS ON CUTTING IN & OUT

Check speaker types, ratings and for any short circuits on the speaker line.

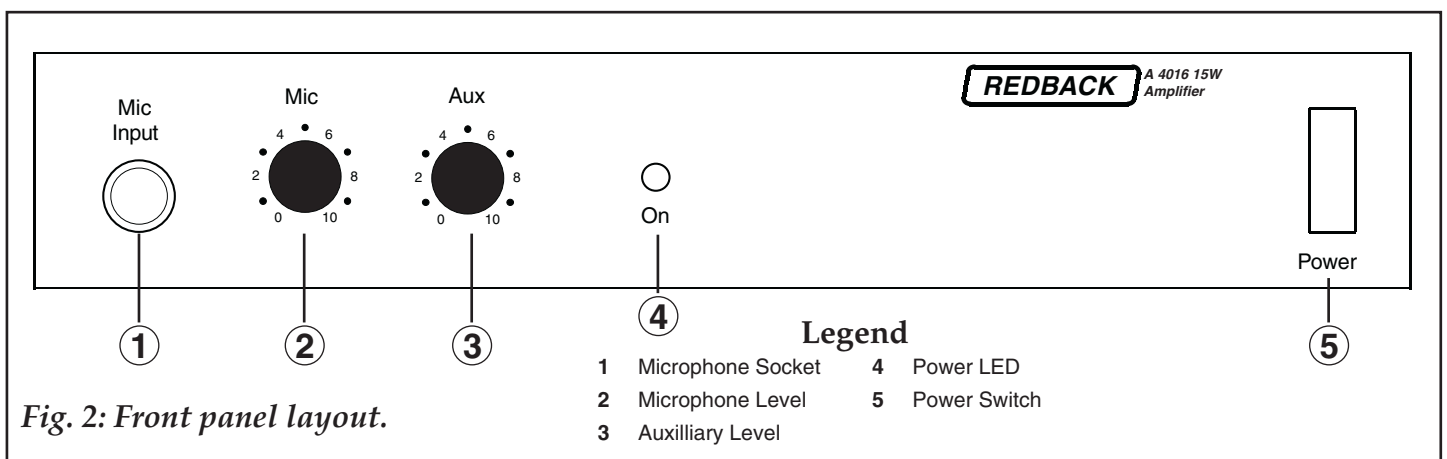
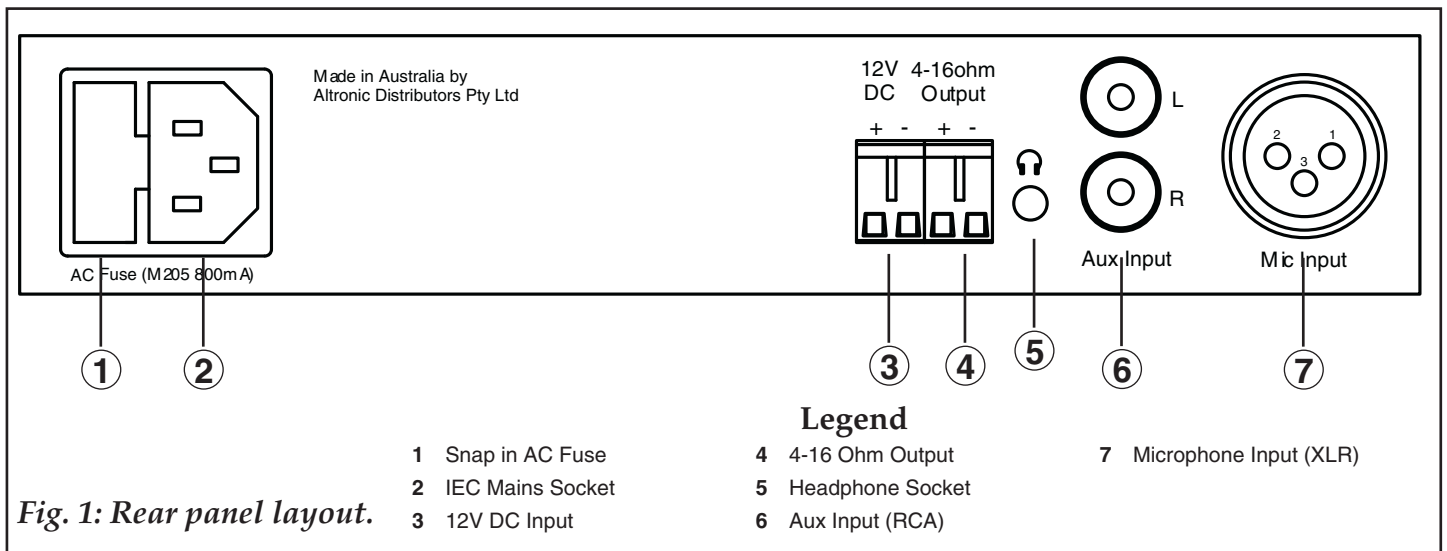
## MOUNTING KITS



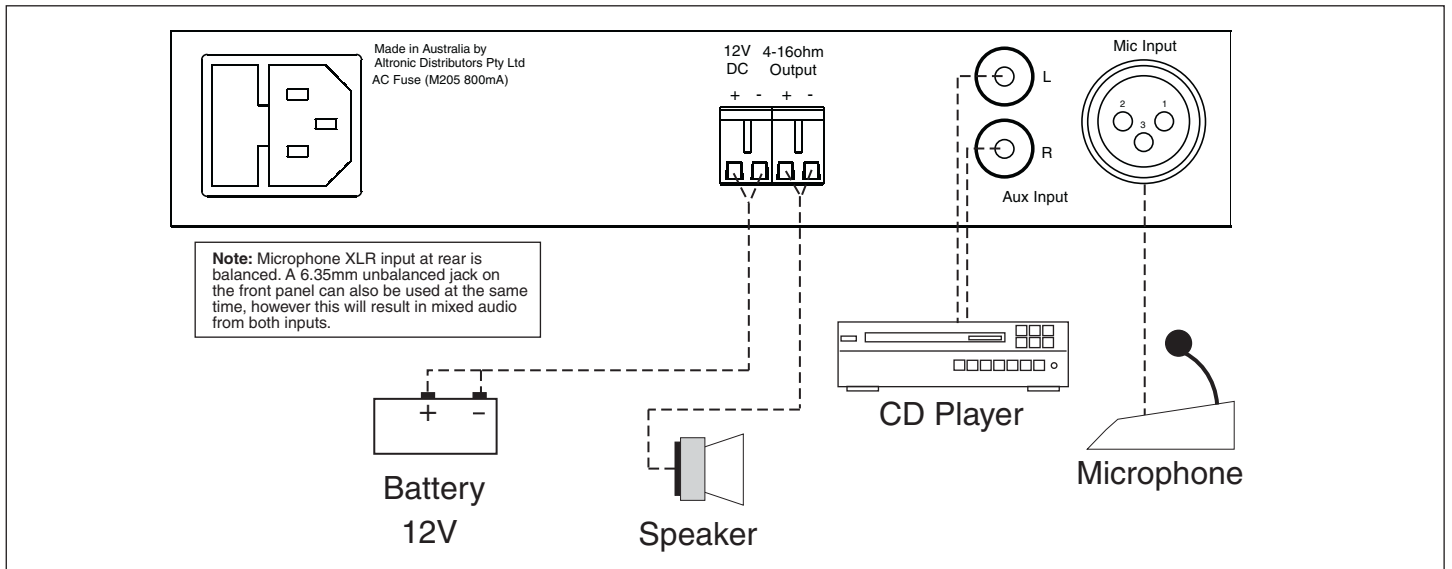
**H 4990** Enables 2 x A 4016 amplifiers to be housed in a single 44mm 1RU rack space.

**H 4991** Under dash or under desk mounting bracket.

**H 4992** Infill blanking panel, where only one A 4016 is rack mounted.



# REDBACK A 4016 15 Watt Amplifier



## SPECIFICATIONS

### POWER OUTPUT

A 4016:.....15 watts RMS @ 13.8V into 4Ω  
Distortion:.....< 3% @ 1kHz

### SIGNAL TO NOISE RATIO

Typically 75dB below rated output.

### FREQUENCY RESPONSE

Mic input: .....50Hz - 10kHz, -3dB  
Aux input: .....60Hz - 15kHz, -3dB

### INPUT SENSITIVITY

Mic 1: .....1.5mV balanced  
1.5mV unbalanced

### OUTPUT CONNECTORS

Speakers:.....Screw terminals  
Output impedance: .....4-16  
Headphones:.....3.5mm socket

### INPUT CONNECTORS

Mic 1: .....3 pin XLR balanced  
or 6.35mm jack unbalanced  
Aux input:.....RCA stereo socket, bridged mono  
12V DC power:.....Screw terminals  
240V AC power:.....IEC power connector

### CONTROLS

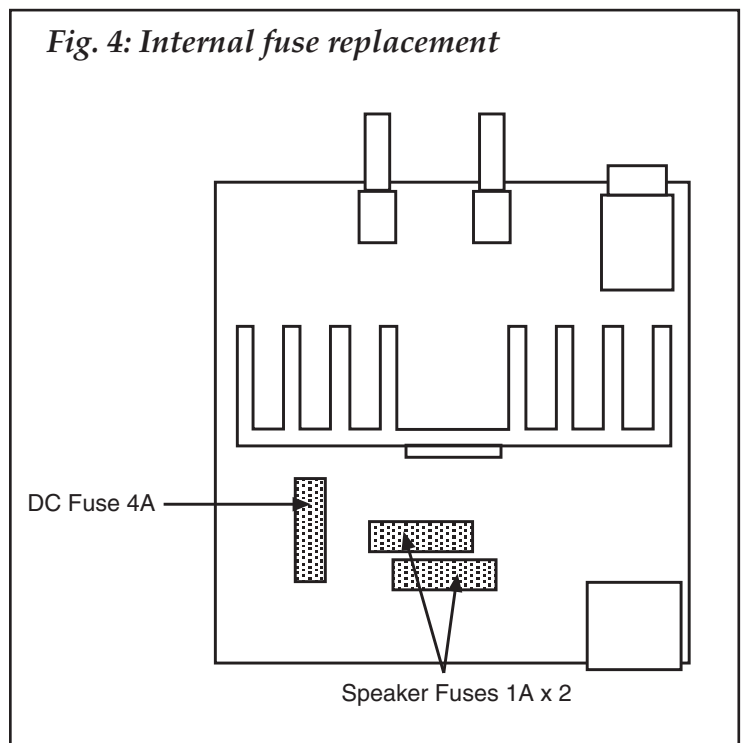
Mic input:.....Volume  
Aux input: .....Volume  
Power:.....On/off switch  
Indicators:.....Power

### MISC.

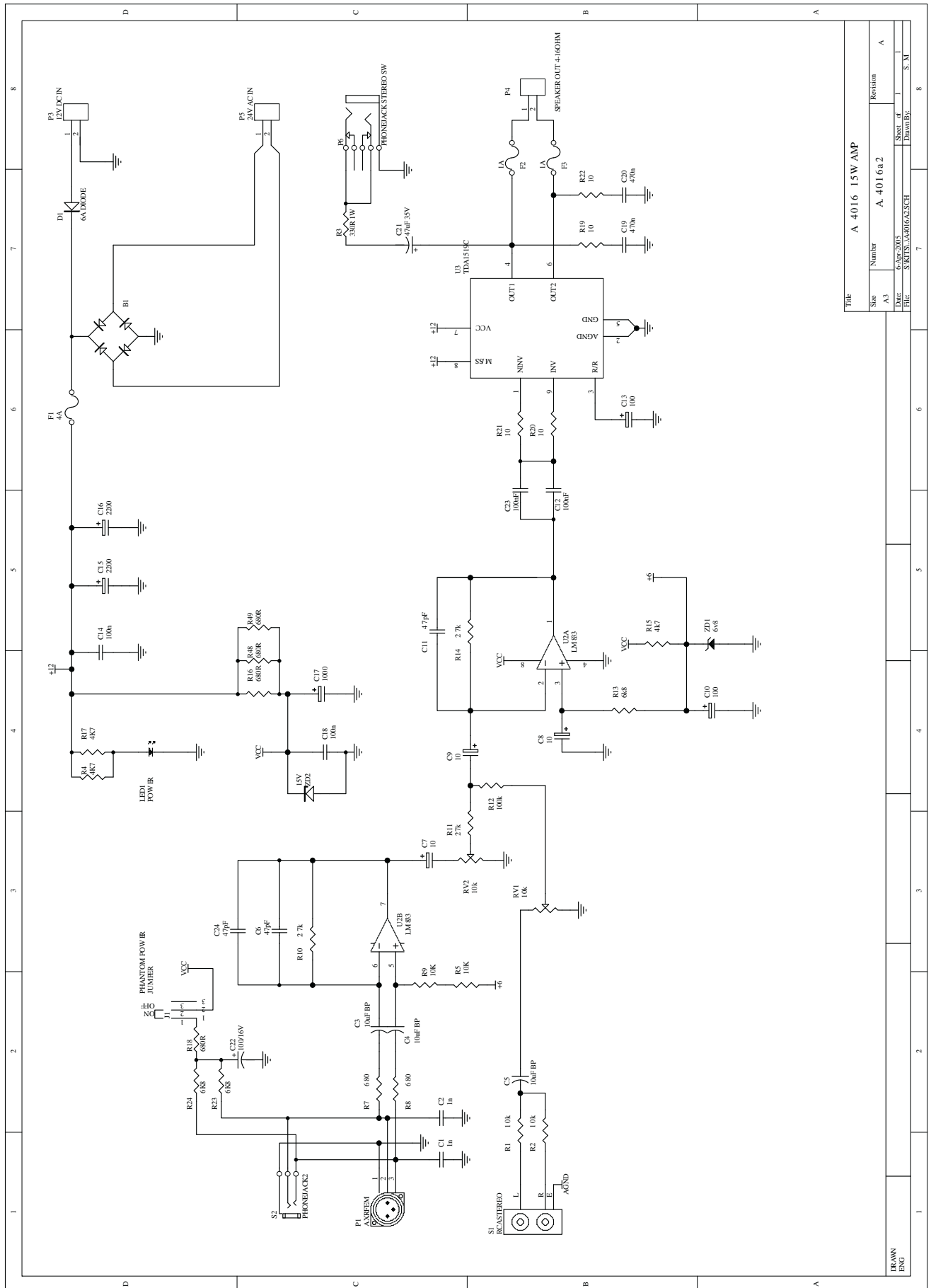
Power supply: .....240V AC or 12V DC  
Protection: .....800mA AC fuse and 4A DC fuse  
1A Speaker Protection fuse  
Weight: .....≈2.5kg  
Dimensions: .....≈210W x 130D x 44H mm  
Colour:.....Black

\*Specifications subject to change without notice

Fig. 4: Internal fuse replacement



# REDBACK A 4016 15 Watt Amplifier



Title			
Size	Number	Revision	Revision
A3	A. 4016a2		A
Date:	6-Apr-2005	Sheet of	1
File:	SRV.PC.04016A.SCH	Drawn By:	S.M.

Title			
Size	Number	Revision	Revision
A3	A. 4016a2		A
Date:	6-Apr-2005	Sheet of	1
File:	SRV.PC.04016A.SCH	Drawn By:	S.M.