



A 2733B MP3/CD Player Operating Instructions



Congratulations on your purchase of the Redback anti shock CD / USB / SD/MMC Card reader player with speed control and remote control.

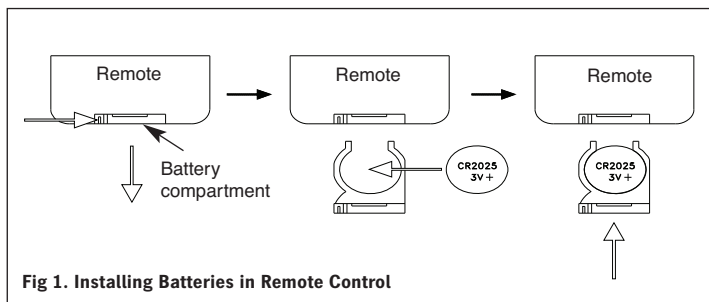
Features:

- Accepts CD, CD-R, CD-RW discs plus USB flash drive and SD/MMC memory cards.
- Accepts file types of MP3 and WMA files (on all formats above).
- Operates from 240V ac or 24V dc power.

Installation:

Connect the stereo RCA output to a line level amplifier input.

Install the batteries (supplied) in the remote control. The battery compartment is located at the bottom of the remote control as shown in figure 1.



Remove the battery compartment by pushing the compartment lock in the direction shown above. Place the battery positive electrode (+ sign) facing upwards. Push the battery compartment back into the remote control. Replacement batteries are type CR2025 (3V)

Operation:

- Turn rocker switch on and press power button to turn on.
- Press SD / USB / CD switch to change between CD, USB or SD/MMC source.
- To playback or pause, press PLAY/PAUSE on the front panel or ►► on the remote control.
- Press REV, F.WD on the front panel or ◀◀ ►► on the remote control for desired next or previous track number. The player will continue to play while displaying selected tracks. When the desired selected track is displayed, press play/pause button again to begin playing the selected track.

- To stop playback press STOP/EJECT on the front panel or press ■ once on the remote control.
- Press FB, FF on the front panel or ◀◀ ►► on the remote control to scan forward or backward to a particular point during play.

Pitch Controls:

This function works with all music file types.

LO - PITCH: Pressing this button on the front panel or the remote control reduces the speed (pitch) by 2% increments. Press once, and the screen will indicate PITCH: -1. Press again for up to 10 steps of speed variation.

HI - PITCH: Pressing this button on the front panel or the remote control increases the speed (pitch) by 2%. Press once, the screen will indicate PITCH: 1. Press again for up to 10 steps of speed variation.

NOR - PITCH: Pressing this button on the front panel or the remote control resets the pitch to zero (ie normal speed).

CD Playback:

- Insert a disc into the slot with the data side facing down, and playback starts automatically. Track number and playing time will be displayed on display panel.
- When inserting a disk into the CD player or taking a disc out, it is necessary to let the CD player insert the disk and return automatically. Do not force the disc in or out of the disc slot as this may cause serious damage to the unit.
- The LCD DISPLAY displays CD status including track number and playing time.
- Press STOP/EJECT on the front panel once to stop playback.
- Press STOP/EJECT again and the display will show total track numbers and total time.
- Press STOP/EJECT for the 3rd time and the disc will eject.
- Press STOP/EJECT a fourth time and the disc will be inserted again.
- For CD with MP3 or WMA files. Press FOLDER on the front panel or remote control to select the desired folder (directory).

SD/MMC Card:

- Insert SD Card or MMC Card into the SD/MMC CARD slot on the front panel. Push the card into the slot until it clicks into the slot.
- When taking the card out, ensure that you hear it click and then release the card.
- Do not use force to pull the card out as this may cause damage to the card or the unit.
- Press SD / USB / CD or SD / USB / CD on the remote control to

A 2733B CD/MP3 Player Instructions

select the SD/MMC function, then press PLAY / PAUSE or ►|| on the remote control to start playing.

- Press FOLDER on the front panel or remote control to select the desired folder (directory).

USB flash:

- Insert USB into the USB slot on the front panel.
- Press SD/USB/CD or SD/USB/CD on the remote control until USB is selected
- Press PLAY / PAUSE or ►|| on the remote control to start playing.
- Press FOLDER on the front panel or remote control to select the desired folder (directory).

Remote Functions:

EJECT: Ejects compact disc

RANDOM (RAN): A random selection is played from available tracks. Press **RAN** and LCD will show SHUFFLE. Press ◀▶ to select next or previous random track.

REPEAT (CD mode): Press **REP** once to repeat play all tracks. The LCD will show REPEAT ALL. Press **REP** again to repeat playing the current track only. The display will show REPEAT 1. Press **REP** again to cancel.

REPEAT (MP3/WMA mode): Press **REP** once to repeat play all tracks. The LCD will show REPEAT ALL. Press **REP** again to repeat all songs in the current folder. The display will show REPEAT FOLDER. Press **REP** again to repeat playing the current track only. The display will show REPEAT 1. Press **REP** again to cancel.

NUMBERS 0-9: Enables track selection via number entered.

FOLDER: Changes the MP3 folder.

PLAY / PAUSE: Press once to pause. The LCD displays ||. Press again to play and LCD displays ▶.

STOP: Stops playback

PREVIOUS TRACK: Press ◀ to select previous track.

NEXT TRACK: Press ▶ to select next track.

TRACK SEARCH: Press ◀▶ to search through individual tracks. Press once to activate. Press again to cancel. Press ►|| to return to normal playback.

CD/USB/SD: Selects USB, SD or CD source for playback. Then press ►|| to start playing.

A-B: This selects a portion of music to be played. Whilst in play mode, press once for the start point for memorizing music selection. Press again for the end point. The unit will now begin playing from the start point to the end point. The unit will then continually repeat the selection. Press again to cancel A-B Function.

MUTE: Mutes the music output when pressed. Press again to cancel.

PROG: Can be used to program a selection of songs.

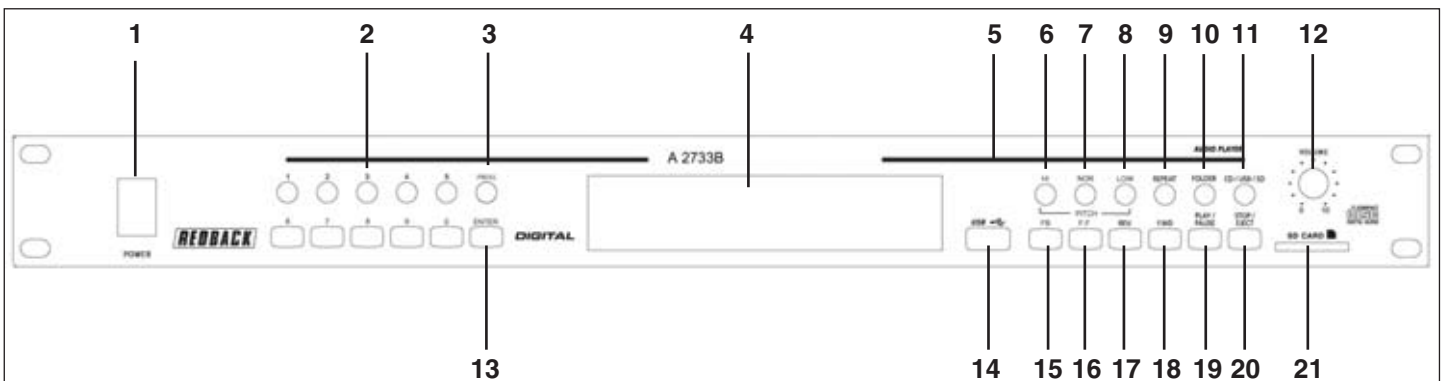
CD PLAYBACK MODE

To play an ordinary CD, press **PROG** key. Select the track numbers. For 2 digit tracks, eg track 23, press keypad numbers 2 and 3, The LCD will display "23", then press **ENTER** to add to memory. The LCD will then display "23:01", meaning track 23, program 1. For track 5 press "5", then **ENTER**. The LCD will display "05:02". Repeat this to program other songs into memory. Press ►|| play key and the unit will play all of the memorized songs.

The LCD indicator will display "MEMORY" and the song numbers it is playing. To cancel the memorized songs, press **PROG** key twice.

MP3/WMA PLAYBACK MODE:

To select MP3 format, press **PROG** key once, select the folder number, then press **ENTER** to confirm, then enter the track number, and then press **ENTER** to confirm. The display will now show the folder number, track number and number of the song programmed. For example: press 2 for folder 2, then



1. POWER: Switches the power on and off.
2. TRACK NUMBERS: Used when programming track playback.
3. PROGRAM: Used when programming track playback
4. LCD DISPLAY: Displays information regarding the status of the selection.
5. CD SLOT
- 6, 7, 8. HI, NORM, LO/PITCH: Allows you to vary play speed for Music CD's and MP3 files (but not for WMA files).
9. REPEAT: Repeats the currently selected track
10. FOLDER: Allows you to select the folders (directories) in your SD/USB.
11. SD/USB/CD: Allows you to select the desired music source.
12. VOLUME: Allows you to control the volume
13. ENTER: Used when programming track playback
14. USB connector: For USB flash drive (also referred to as USB memory stick or USB thumb drive).
15. FB: Jumps to the beginning of the track being played, or skips back if pressed repeatedly.
16. FF: Scans forward to a particular point during play.
17. REV: To select previous tracks.
18. FWD: To select next tracks.
19. PLAY/PAUSE: Starts or pauses playing music from CD, USB or SD/MMC source.
20. STOP/EJECT: Stops playing of music from CD, USB or SD/MMC
21. SD/MMC CARD SLOT: Accepts SD Card and MMC Card.

Fig 2. Front Panel

ENTER, press 23 for track 23, then **ENTER**. The LCD will display 02 23:01". 01 is the first memorized song. Repeat this to program other songs into memory. Press **II** play key and the unit will play all of the memorized songs.

The LCD indicator will display "MEMORY" and the song number it is playing. To cancel the memorized songs, press **PROG** key.

PITCH ADJUSTMENT: To adjust slow-speed, high-speed or normal play. **HIGH** To adjust high speed play. **LOW** to adjust slow-speed play. Each have 10 levels of speed variation. Press **NOR** to return to normal play.

LCD Display:

MP3: The display panel shows **MP3** when in MP3 mode.

CD: When in CD mode, the display panel shows **CD**.

PLAY: When playing the display panel shows **▶**

PAUSE: When paused the display panel shows **II**

REPEAT (SINGLE TRACK): When repeat is selected the display panel shows **REPEAT 1**.

REPEAT (ALL TRACKS): When all songs on a CD are playing repeatedly, the display panel shows **REPEAT ALL**.

REPEAT (FOLDER): When all songs in a folder are playing repeatedly, the display panel shows **REPEAT FOLDER**.

SHUFFLE: Selects tracks randomly.

PROGRAM: Will play programmed tracks.

MEMORY: Will play tracks stored in memory.

A-B: Repeat playing between A and B.

88: In MP3 mode the display will appear with the folder number.

888: Displays the current playing track number.

88:88: Displays the time for the current track playing.

Specifications:

Output Level:1V ± 2 db (1KHZ / 0 db)

Frequency Response:20HZ ~ 200KHZ at - 10 db

S/N Ratio:More then 50 db

Supply Voltage:240V ac or 24V dc, 45VA

Remote Control Range:3m (optimal), 5m (max)

For repair or service please contact your place of purchase.

Note: Under no circumstances should you attempt to repair the player yourself as this will invalidate the warranty!

This appliance is not intended for use by young children or infirm persons without supervision. Young children should be supervised to ensure they do not play with the appliance.

NOT FIELD SERVICEABLE.

Distributed By:

Altronic Distributors Pty Ltd. Perth W.A. 6000

Ph. 1300 780 999

Fax 1300 790 999

www.altronics.com.au

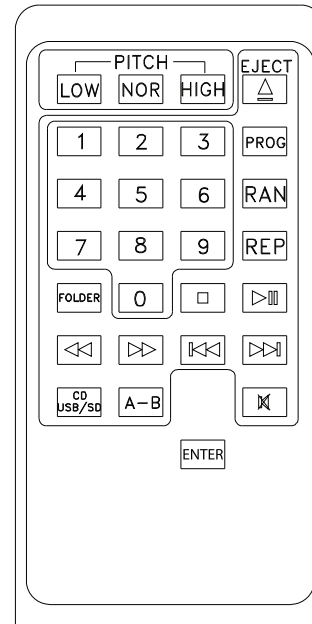


Fig 3. Remote Control Functions