



5 Zone Attenuator Panel

OPERATING INSTRUCTIONS

FEATURES

- Standard 2 unit (88mm) 19" rack mount dimensions
- Five Zone outputs
- Accepts 1 to 5 inputs
- Each zone has 11 positions plus off
- 200W total load capacity (40W per zone)
- Easy to terminate screw terminals
- A 2345 includes 24V DC override relay for bypassing volume controller settings.
- Line monitoring capacitor on all zones

CONNECTION DETAILS

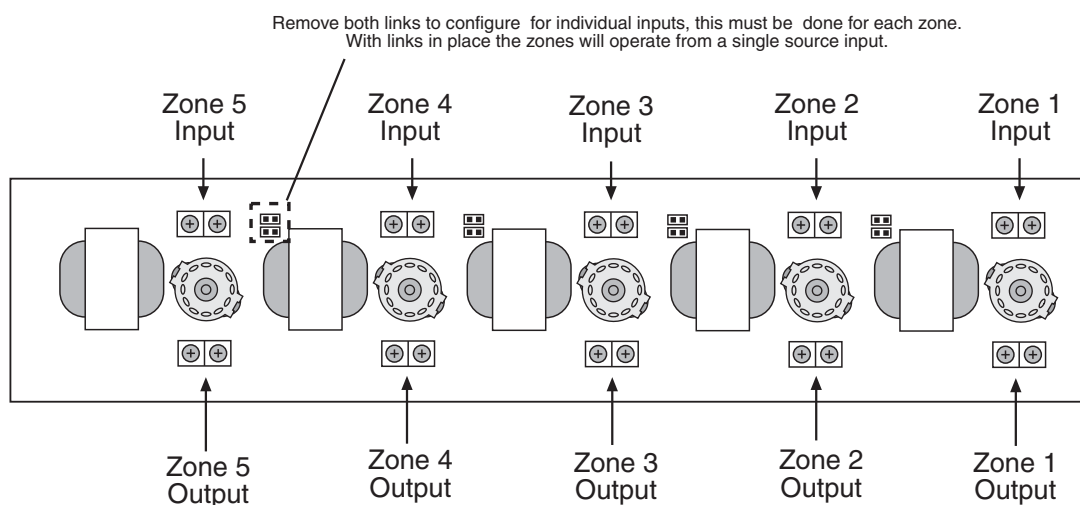
Configure for Independent Inputs.

1. Remove both factory fitted links at each input to configure for up to 5 separate inputs (see figure 1). With the switch in the normal position energising the relay (24V DC to the 24V DC terminal) bypasses the controller. Full input power is directed to the speaker load. De-energising the relay configures the unit to normal level control function.

With the switch set to the fail safe position energising the relay is necessary for normal level control function. De-energising the relay bypasses the controller. That is, full power is directed to the speaker load.

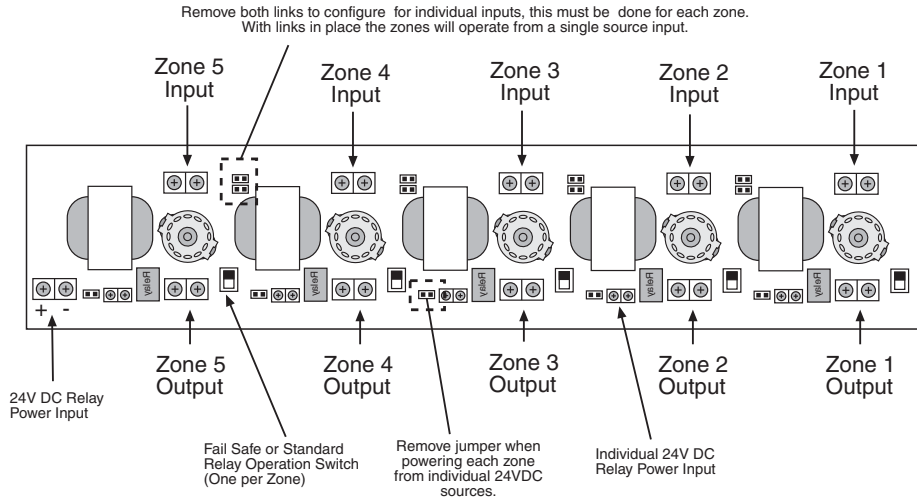
Note 1: Unit is only suitable for 100V line input. Do not connect to voice coil (8Ω) amplifiers.

Figure 1: Diagram of A 2342. Use this to configure the zone inputs.



REDBACK 5 Zone Attenuator Panels

Figure 2 : Diagram of A 2347. Use this to configure the zone inputs and failsafe operation.

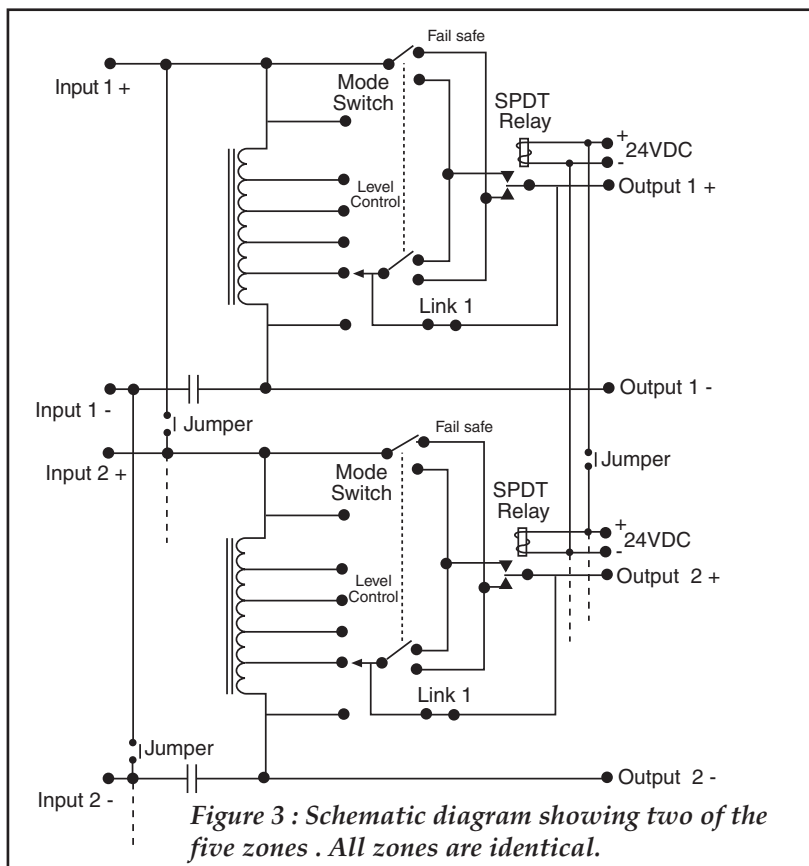


Configure the A 2347 for Fail safe operation.

Decide on the configuration that would best suit your application. Configure the jumper inputs for each zone in the desired manner as stated above. For a single mode of failsafe operation, power for the failsafe override is derived from the screw terminal marked 24VDC relay power input (see figure 2). To configure zone 5 for non-failsafe operation remove the jumper next to the failsafe switch for zone 5. Power for the remaining zones are derived from the grey screw terminal next to the relay on zone 4. To derive power from the following zone (i.e. zone 3 deriving power from zone 4) the jumper next to the failsafe switch must be fitted. It is possible to configure chains of two or three zones in this manner. To completely isolate all the zones (in fact making 5 separate attenuators) remove all the jumpers.

OPERATION

Operation of the unit is as simple as adjusting the volume to the desired level. Each volume is completely independent of the others. In failsafe mode, should the power drop for any reason, the attenuator volume will be at maximum level.



SPECIFICATIONS

A 2342 Standard Model

Power rating : 200W Total (40W per zone)

Attenuation 0, 5.7, 9.8, 16, 20, 26.3 dB

Dimensions ~ 484W x 50D x 88Hmm

Colour Black

Weight ~ 2.27Kg

A 2347 Override Model

Power rating : 200W Total (40W per zone)

Attenuation 0, 5.7, 9.8, 16, 20, 26.3 dB

Dimensions ~ 484W x 50D x 88Hmm

Colour Black

Weight ~ 2.3Kg

Relay Override Operation Voltage: 24VDC