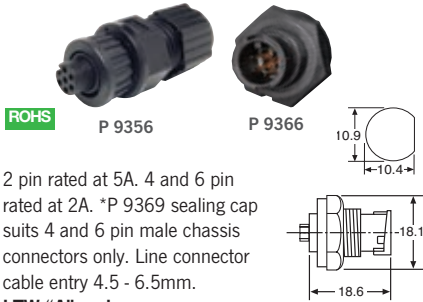


Waterproof Connectors

Quality Amphenol LTW waterproof connectors for harsh environments. Perfect for agricultural, marine, mining or industrial applications. Other models are available to manufacturers in OEM quantities. For further technical information on this range, see the website at: www.amphenolltw.com

▼ **Waterproof Circular**

IP67 Rated Miniature 2-5A Lock Type



2 pin rated at 5A. 4 and 6 pin rated at 2A. *P 9369 sealing cap suits 4 and 6 pin male chassis connectors only. Line connector cable entry 4.5 - 6.5mm. **LTW "A" series.**

Price Each	Model	Entry	RRP	4+	10+
Chassis					
2 pin male	P 9362		8.95	8.50	7.95
4 pin male	P 9364		10.95	10.50	9.95
6 pin male	P 9366		12.95	11.95	11.35
Sealing cap*	P 9369		4.95	4.45	4.00
Line					
2 pin male	P 9342	4.5-6.5	11.95	11.50	10.75
2 pin female	P 9352	4.5-6.5	14.25	13.25	12.50
4 pin male	P 9344	4.5-6.5	14.95	14.10	13.05
4 pin female	P 9354	4.5-6.5	12.95	12.50	11.95
6 pin male	P 9346	4.5-6.5	11.50	11.00	10.50
6 pin female	P 9356	4.5-6.5	23.95	22.75	21.40

IP68 Rated 4A 4 & 5 Pin Screw Type



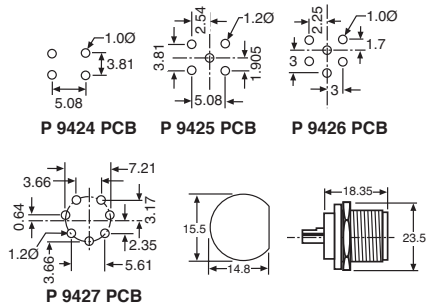
new 8 pin versions. Male and female line connectors include metal screw on collars, with heavy duty plastic cable entries. Chassis connectors feature metal outer construction with plastic insert. 4A rated. **LTW M12 series.**

Price Each	Model	Entry	RRP	4+	10+
Chassis					
4 pin male	P 9849		12.80	11.50	10.25
4 pin female	P 9864A		12.80	11.50	10.25
5 pin male	P 9850		13.60	12.25	10.90
5 pin female	P 9865A		11.30	10.25	9.50
8 pin male	P 9853		12.50	11.25	10.00
8 pin female	P 9868A		15.95	14.50	12.95
Cap for male	P 9872		3.75	3.40	3.00
Cap for fem.	P 9873A		3.15	2.85	2.55
Line					
4 pin male	P 9869	3-6.5	9.10	8.15	7.30
4 pin female	P 9844	3-6.5	11.95	10.75	9.55
5 pin male	P 9870	3-6.5	10.50	9.50	8.50
5 pin female	P 9845	3-6.5	12.95	11.65	10.35
8 pin male	P 9875	3-6.5	11.95	10.95	9.75
8 pin female	P 9848	3-6.5	12.95	11.75	10.50
Cap for male	P 9872		3.75	3.40	3.00
Cap for fem.	P 9873		3.15	2.85	2.55

IP66 Rated 5A Screw Type



For outdoor installations or in areas prone to moisture. 5A rated. Note: PCB/chassis mount connectors are rated to IP67. Line connectors are rated to IP66 and only mate with chassis or PCB mount connectors ie: male and female line connectors do not mate. **LTW screw type series "B".**



Price Each	Model	Entry	RRP	4+	10+
Chassis					
4 pin female	P 9444		10.95	10.50	9.95
4 pin male	P 9414		12.95	12.50	11.95
5 pin male	P 9415		13.95	13.50	12.95
6 pin female	P 9466A		11.95	10.85	9.95
6 pin male	P 9416		14.95	14.50	13.95
7 pin male	P 9417		15.95	15.50	14.95
Cap for male	P 9420		4.95	4.45	4.00
PCB Mount					
4 pin male	P 9424		12.95	12.50	11.95
5 pin male	P 9425		13.95	13.50	12.95
6 pin male	P 9426		14.95	14.50	13.95
7 pin male	P 9427		15.95	15.50	14.95
Cap for male	P 9420		4.95	4.45	4.00

Price Each	Model	Entry	RRP	4+	10+
Line					
4 pin female	P 9404	3.5-5.3	17.75	16.00	14.25
4 pin male	P 9454	3.5-5.3	16.50	15.90	15.00
5 pin female	P 9405	4.5-6.5	13.95	13.50	12.95
6 pin female	P 9406	3.5-5.3	14.95	14.50	13.95
6 pin male	P 9456	3.5-5.3	18.35	17.55	16.75
7 pin female	P 9407	4.5-6.5	26.50	23.85	21.25

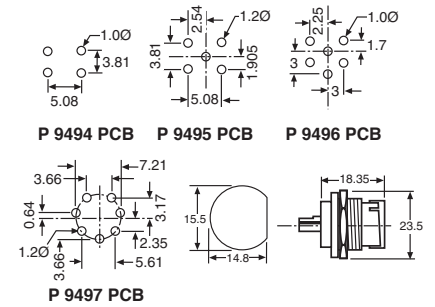
IP67 Rated 5A 18 Pin Lock Type



IP67 rated waterproof 18 connectors for installations outdoors or in areas prone to moisture. *Sealing caps suit chassis female & line male. 5A rated. **LTW 'D' series.**

Price Each	Model	Entry	RRP	4+	10+
Chassis					
18 pin male	P 9546		22.95	20.70	18.40
18 pin female	P 9526		26.95	24.90	22.90
Sealing cap*	P 9539A		4.95	4.45	4.00
Line					
18 pin male	P 9506	5.5-10.8	34.95	32.95	30.95
18 pin female	P 9507	5.5-10.8	47.50	42.75	38.00
Sealing cap*	P 9519		4.95	4.45	4.00

IP67 Rated 5A Lock Type



For outdoor installations or in areas prone to moisture. 5A rated. **LTW lock type series "B".**

Price Each	Model	Entry	RRP	4+	10+
Chassis					
2 pin male	P 9462A		10.95	10.50	9.95
3 pin male	P 9463A		11.95	11.50	10.95
4 pin male	P 9464A		12.95	12.50	11.95
5 pin male	P 9465A		13.95	13.50	12.95
6 pin male	P 9466A		14.95	14.50	13.95
7 pin male	P 9467A		15.95	15.50	14.95
8 pin male	P 9468A		16.95	16.50	14.95
Cap for male	P 9499		5.50	4.95	4.50

Price Each	Model	Entry	RRP	4+	10+
PCB Mount					
2 pin male	P 9492		10.95	10.50	9.95
3 pin male	P 9493		11.95	11.50	10.95
4 pin male	P 9494		12.95	12.50	11.95
5 pin male	P 9495		13.95	13.50	12.95
6 pin male	P 9496		14.95	14.50	13.95
7 pin male	P 9497		15.95	15.50	14.95
8 pin male	P 9500		16.95	16.50	15.95
Cap for male	P 9499		5.50	4.95	4.50

Price Each	Model	Entry	RRP	4+	10+
Line					
2 pin male	P 9472	4.5-6.5	10.95	10.50	9.95
2 pin female	P 9482	4.5-6.5	14.95	13.50	12.00
3 pin male	P 9473	4.5-6.5	13.50	13.00	12.50
3 pin female	P 9483	4.5-6.5	15.95	14.50	12.95
4 pin male	P 9474	4.5-6.5	17.75	16.00	14.25
4 pin female	P 9484	4.5-6.5	17.25	15.75	13.95
5 pin male	P 9475	4.5-6.5	13.95	13.50	12.95
5 pin female	P 9485	4.5-6.5	23.50	21.15	19.65
6 pin male	P 9476	4.5-6.5	15.95	15.50	14.95
6 pin female	P 9486	4.5-6.5	19.95	17.95	15.95
7 pin male	P 9477	4.5-6.5	18.60	17.60	16.30
7 pin female	P 9487	4.5-6.5	22.95	20.75	18.50
8 pin male	P 9478	4.5-6.5	22.95	20.75	18.50
8 pin female	P 9488	4.5-6.5	24.95	22.50	19.95
Cap for male	P 9499		5.50	4.95	4.50
Cap for fem.	P 9498		4.95	4.45	4.00

IP65 Rated Cable Joiner



Ideal for joining electrical cables in the field. Protected from dust and moisture ingress. Rated to 250V, 16A. Suitable for round cable sizes 6-10mm OD. Note: Not LTW brand.

Price Each	Model	Entry	RRP	4+	10+
P 9300B			12.95	11.50	10.45