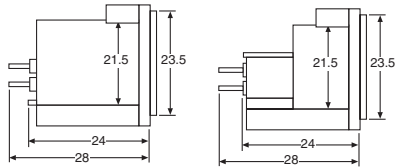
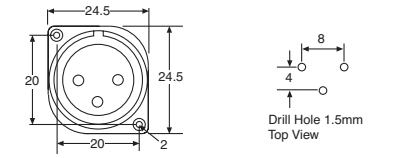


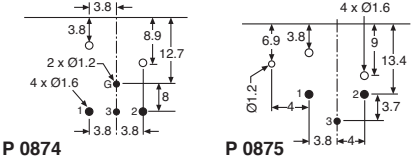
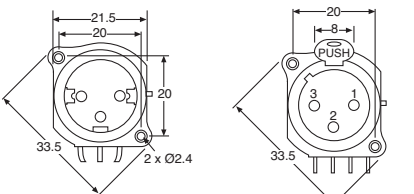
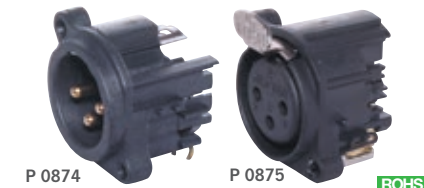
▼ XLR Connectors

PCB Mount XLR Style Connectors



Price Each	RRP	10+	40+
P 0871 3 Pin male	3.05	2.75	2.45
P 0873 3 Pin female	3.05	2.75	2.45

90° PCB Compact XLR Style Connectors

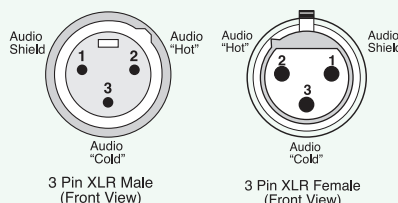


Ideal for use in mixers or amplifiers where panel space is limited. For full dimensional drawings visit [www.altronics.com.au](http://www.altronics.com.au)

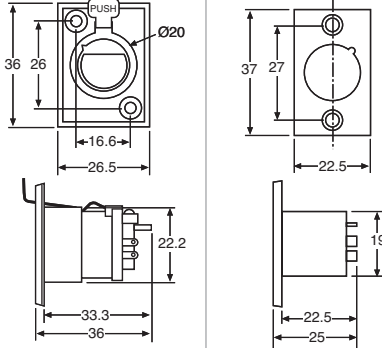
Price Each	RRP	10+	40+
P 0874 3 Pin male	3.95	3.50	2.90
P 0875 3 Pin female	3.95	3.50	2.90
P 0877 5 Pin female	3.95	3.50	2.90

3 Pin XLR Wiring Details

Standard pinouts for balanced leads using 3 pin XLR plugs and sockets. Audio "Hot" is the in-phase connection, whilst Audio "Cold" is the out-of-phase connection. Should an unbalanced lead be required, one of the audio pins must be referenced to ground ie. Pin 3 and 1 are connected together (or pins 2 and 1). The remaining pin is used for audio signal. When shielding audio cables, you should only ground the shield at one end of the cable otherwise hum may be induced.



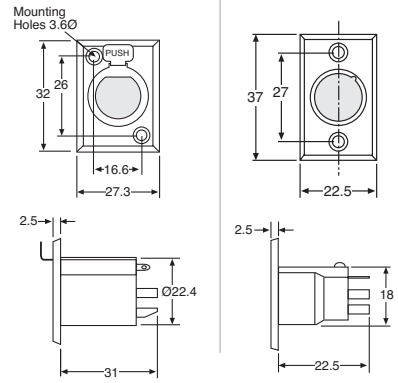
XLR Chassis



3 and 5 pin models have the same dimensions.

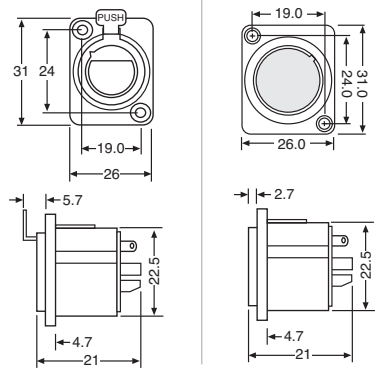
Price Each	RRP	10+	40+
3 Pin			
P 0804 Female	4.75	4.30	3.80
P 0807 Male	4.50	4.15	3.75
5 Pin			
P 0824 Female	7.75	6.95	6.20
P 0827 Male	5.60	5.00	4.50

Amphenol® XLR Chassis



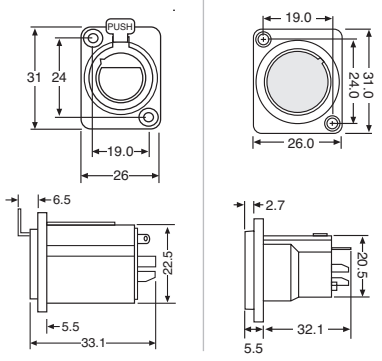
Price Each	Amphenol® Part	RRP	10+	40+
3 Pin				
P 0904 Female	AC3FPZ	8.25	7.85	7.30
P 0906 Male	AC3MPNZ	6.60	6.25	5.80

Neutrik® XLR Chassis



Price Each	Neutrik® Part	RRP	10+	40+
3 Pin				
P 0850 Female	NC3FD-L-1	8.95	8.40	7.70
P 0852 Male	NC3MD-L-1	8.50	7.90	7.45

Amphenol® XLR "D-Series" Chassis



3 and 4 pin models have the same dimensions.

Price Each	Amphenol® Part	RRP	10+	40+
3 Pin				
P 0903 Female silver	AC3FDZ	7.95	7.60	7.10
P 0905 Female black	AC3FDZB	8.60	8.15	7.60
P 0907 Male silver	AC3MMDZ	7.50	7.10	6.65
P 0908 Male black	AC3MMDZB	7.60	7.20	6.70
4 Pin				
P 0917 Female silver	AC4FDZ	16.50	15.65	14.55
P 0918 Male silver	AC4MDZ	10.40	9.85	9.15

Blank Plates To Suit 'D' Series Connectors

Single or dual type to suit any standard dimension 'D' series XLR, HDMI, USB, RCA or RJ connectors. Mounting hole spacing 19W x 24Hmm.



Price Each	RRP	4+	10+
P 8020 Single White	8.50	7.75	6.50
P 8021 Single Black	8.50	7.75	6.50
P 8022 Dual White	8.95	8.00	7.25
P 8023 Dual Black	8.95	8.00	7.25