

▼ Batteries

Powerhouse® 2V 200Ah SLA Battery

Commonly used in solar & communication battery backup banks. Fully sealed design. Multiple cells can be linked to form one large battery. Link terminals provided with each cell.

SA5059A: 300mm battery link with 10mm lugs.

Size: 171Lx106Wx330Hmm.
Weight: 14kg.
Connection: B3, suit M10 bolt.



Price Each	RRP	3+	6+
S 5059D 2V 200Ah	299.00	269.00	245.00
SA5059A 300mm Link	18.50		

▼ Battery Holders

18650 Interlocking Battery Holders



Interlock multiple holders to create a battery pack.

Build a lithium-ion battery pack for your project from these handy interlocking holders.

SA5032 size: 8.85D x 42.5W x 21.8H mm

SA5038 size: 8.85D x 62.25W x 21.8H mm

Note: Sold per ea. Minimum 2 pcs required.

Price Each	RRP	4+	10+
SA5032 2 Way	0.95	0.85	0.75
SA5038 3 Way	1.00	0.90	0.80

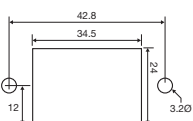
Battery Holders With On/Off Switch

With on/off switch & screw for battery cover. 150mm fly lead connection.



Price Each	RRP	10+	40+
S 5042 2 x AA	2.50	2.25	2.00
S 5041 3 x AA	2.75	2.50	2.20
S 5043 4 x AA	2.95	2.60	2.25
S 5055 2 x AAA	2.75	2.50	2.20
S 5040 3 x AAA	2.75	2.50	2.20

Flush Mount 9V Battery Holder



Fits into similar dimensions as an IEC power socket. Slide in battery drawer locks into place. Mounting depth 55mm.

Price	RRP	10+	40+
S 5049	3.95	3.65	3.50

Battery Snaps & Clips



Price Each	RRP	10+	40+
P 0455 Snap	0.50	0.45	0.40
S 5050 9V Clip	0.70	0.60	0.55

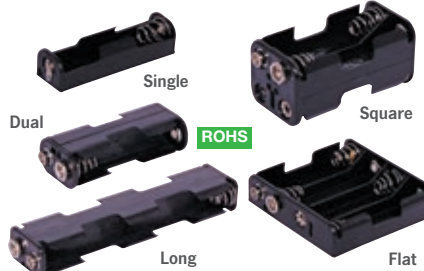
Waterproof Battery Holders



Protects your batteries and terminals from the elements. Screw together casing with rubber gasket. 140mm fly lead.

Price Each	RRP	10+	20+
SW5042 IP65 2 x AA W/Switch	4.95	4.45	3.95
SW5043 IP65 4 x AA W/Switch	6.95	6.25	5.56
SW5046 IP68 4 x AA	9.95	8.95	7.95

Battery Holders



AAA Size * Supplied with fly leads

Price Each	RRP	10+	40+
S 5051* AAA Single	0.80	0.70	0.60
S 5052* AAA Dual	1.35	1.15	1.00
S 5047 3 x AAA Flat	1.45	1.38	1.28
S 5053* 4 x AAA Flat	2.15	1.95	1.75

AA Size

Price Each	RRP	10+	40+
S 5026 AA Single	0.80	0.70	0.60
S 5025A AA Dual	0.95	0.85	0.70
S 5057 AA Dual	0.95	0.85	0.75
S 5033 3 x AA Flat	1.45	1.38	1.28
S 5028 4 x AA Long	1.70	1.50	1.40
S 5030 4 x AA Flat	1.70	1.50	1.40
S 5031 4 x AA Square	1.70	1.50	1.40
S 5032 6 x AA Square	1.75	1.55	1.35
S 5034 8 x AA Square	2.05	1.95	1.85
S 5035 10 x AA Square	3.75	3.40	3.00

C Size

Price Each	RRP	10+	40+
S 5036 4 x C Long	2.20	1.95	1.75

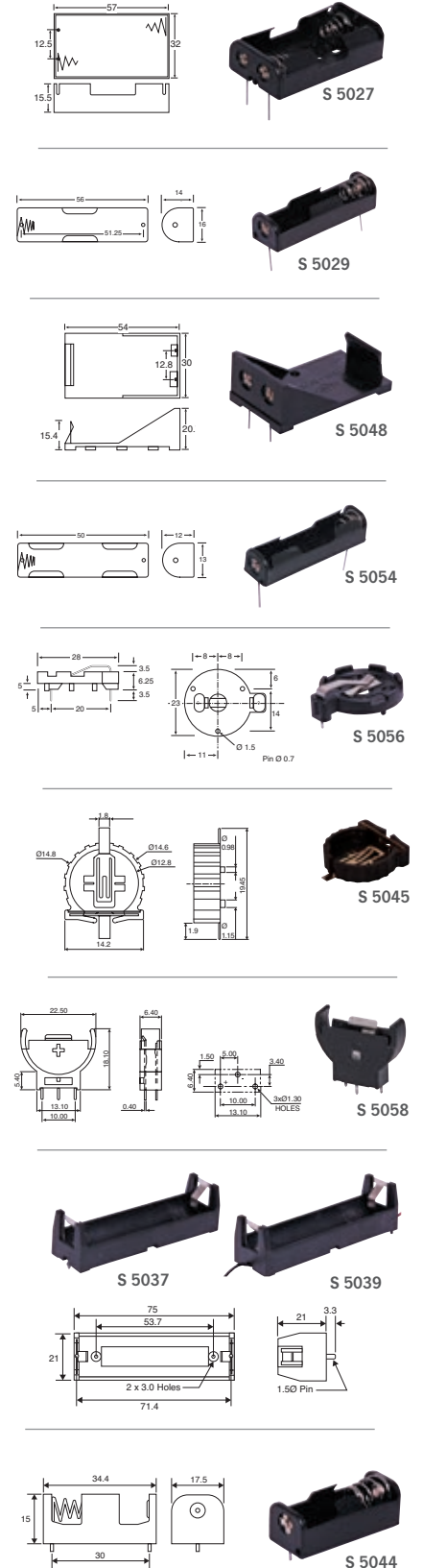
D Size

Price Each	RRP	10+	40+
S 5046 D Single	1.00	0.90	0.80
S 5038 4 x D Long	2.75	2.50	2.20

Wholesale Customers

All prices listed in this catalogue are RRP "retail" prices. To access our competitive wholesale pricing scheme apply for an account via www.altronics.com.au or phone the wholesale division in your state - see back cover for phone numbers.

Battery Holders



Price Each	RRP	10+	40+
S 5027 2 x AA Flat	0.95	0.85	0.70
S 5029 Single AA	0.80	0.70	0.60
S 5048 9V	1.00	0.90	0.80
S 5054 Single AAA	0.80	0.70	0.60
S 5045 20mm Button cell SMD	2.99	2.69	2.39
S 5056 20mm Button cell	2.05	1.85	1.65
S 5058 20mm Button cell vertical	2.50	2.30	2.10
S 5037 18650 Cell (PCB)	2.15	1.95	1.75
S 5039 18650 Cell (fly lead)	2.20	1.95	1.75
S 5044 A23/N Cell	1.25	1.15	1.00