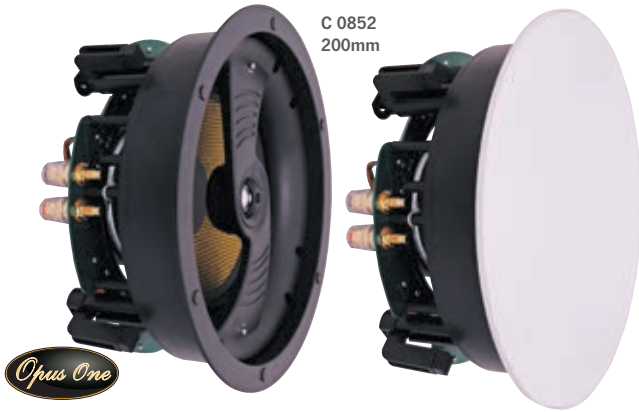


Opus One® Platinum Plus Series 2-Way Stereo Ceiling Speakers



Massive power handling capability - 6.5" 120W, 8" 140W.

These Opus One® Platinum Plus series speakers feature high power woven carbon fibre woofers and magnetic fit 'edge to edge' low profile grille. The high power output is ideally suited to home cinema and music appreciation in home sound systems. They are equally suited to commercial installs in small bars, cafes & function rooms. Powdercoated steel grille. **Sold in pairs.**

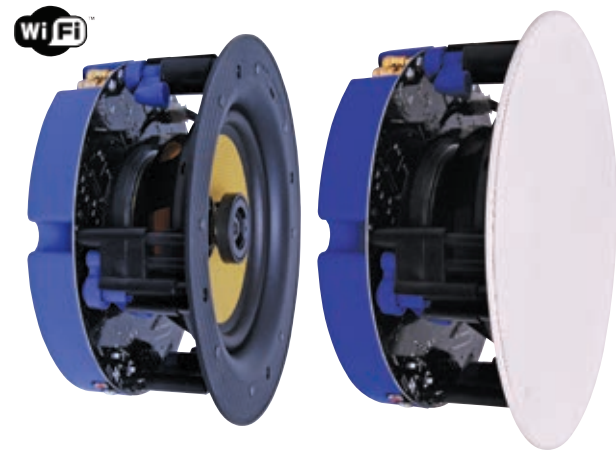
SPECIFICATIONS	C 0850	C 0852
Impedance:	8Ω	8Ω
Rated power:	80W RMS	100W RMS
Max power:	120W	140W
SPL 1W @ 1m:	90dB	90dB
Freq response:	65Hz - 20kHz	60Hz - 20kHz
Mounting hole (mm):	202Ø	245Ø
Size (mm):	238Ø x 120D	281Ø x 141D

Magnetic Grille Options:

Price Per Pair	RRP
CR0850B Round Black 6.5"	34.95
CR0852B Round Black 8"	34.95
CS0850B Square Black 6.5"	39.95
CS0850W Square White 6.5"	39.95
CS0852B Square Black 8"	39.95
CS0852W Square White 8"	39.95

Price Per Pair	RRP	2+	4+
C 0850 Round 165mm (6.5")	399.00	379.00	359.00
C 0852 Round 200mm (8")	499.00	459.00	419.00

165mm (6.5") 2-Way Wi-Fi Ceiling Speakers



Experience wireless music streaming throughout your home with these high performance Kevlar cone wireless speakers. They connect to your home wireless router and allow you to stream music directly from your device. Playback can be via stored music, podcasts, Spotify or other music streaming services. The Smartsonix app, available on iOS or Android allows control of volume in each zone. Up to 8 zones can be managed from the device, so you can play up to 8 different music channels at various levels. Alternatively, all zones can be set to the same music at various levels. Speakers are also compatible with Apple Airplay allowing easy audio streaming directly from a huge array of iOS and Mac appstore applications. The 2 x 30W RMS amplifier is fitted to one speaker, this is connected to a passive speaker in the ceiling. Includes power supply. **Sold in pairs.**

SPECIFICATIONS

Rated power:	2 x 30W RMS Class-D amplifier
Frequency response:	65Hz - 20kHz
Input:	Stereo RCA input (for aux amplifier input)
Speaker type:	Kevlar cone with titanium dome tweeter
SPL 1W @ 1m:	90dB

Price Per Pair	RRP	2+	4+
C 0870	399.00	379.00	365.00

165mm (6.5") 2-Way Bluetooth® Ceiling Speakers



Featuring identical kevlar construction to our popular C 0870 Wi-Fi speakers, this Bluetooth version offers instant audio streaming from your device with stunning audio reproduction. Built to enjoy the best content from your favourite music streaming service, app or podcast player. Latest Bluetooth 5.0 technology allows two phones to be paired at the same time. Each speaker pair has an in-built high performance 2x30W RMS amplifier which provides plenty of volume for your kitchen, study, family room or dining area. The ideal way to add permanent wireless sound to any room in the house. A modern, low profile finish is provided by frameless magnetic fit grilles. Includes power supply. **Sold in pairs.**

SPECIFICATIONS

Rated power:	2 x 30W RMS Class-D amplifier
Bluetooth version (range):	5.0, 30m range. Addressable name.
Frequency response:	65Hz - 20kHz
Input:	Stereo RCA input (for aux amplifier input)
Speaker type:	Kevlar cone with titanium dome tweeter
SPL 1W @ 1m:	90dB

Price Per Pair	RRP	2+	4+
C 0876	379.00	349.00	309.00

Opus One® Platinum Plus Series 2-Way Stereo Wall Speakers



Ideally suited for mounting in walls, these attractive wall speakers can be used with backboxes which seal the rear of the speaker, preventing ingress of dust & vermin. Plus they limit the amount of sound spill to adjacent rooms. Custom designed backboxes screw fix directly to the rear of the speaker assembly. Fitted with aluminium grille. **Sold in pairs.**

SPECIFICATIONS

	C 0866	C 0868
Impedance:	8Ω	8Ω
Rated power:	60W RMS	80W RMS
Max power:	100W	120W
SPL 1W @ 1m:	90dB	91dB
Freq response:	55Hz - 20kHz	50Hz - 20kHz
Mounting hole (mm):	275W x 188H	325W x 222H
Size (mm):	307W x 220H x 85D	359W x 257H x 95D
With backbox (mm):	307W x 220H x 100D	359W x 257H x 100D

Price Per Pair	RRP
C 0866 Rectangular 165mm (6.5")	269.00
C 0868 Rectangular 200mm (8")	359.00
C 0867 Backbox to suit C 0866 165mm (6.5")	45.00
C 0869 Backbox to suit C 0868 200mm (8")	45.00