
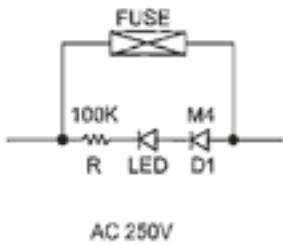
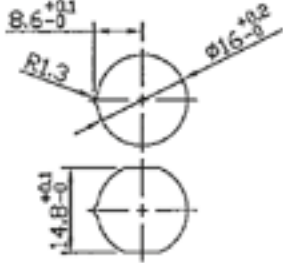
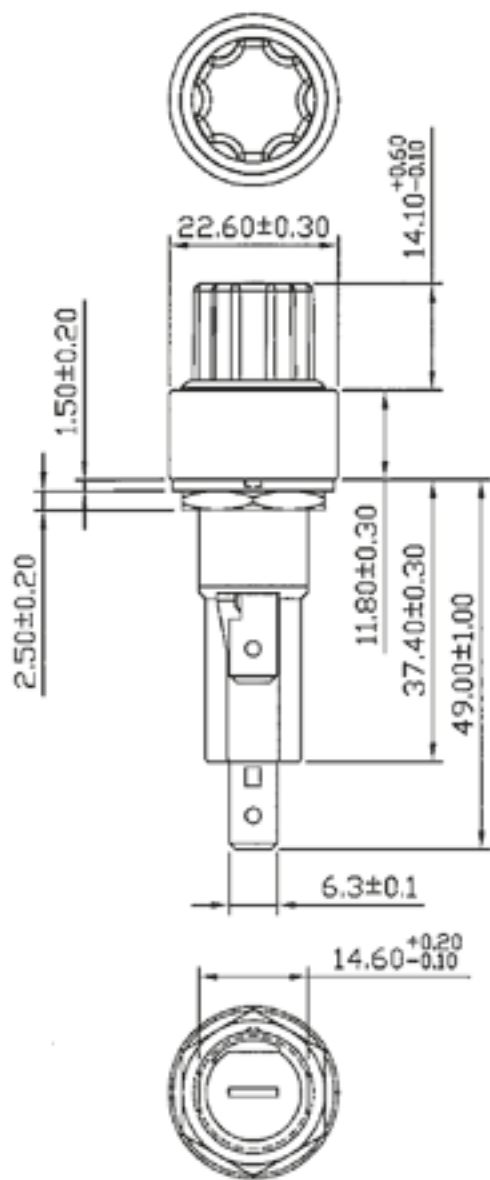


Rating	20A 250VAC		Mounting Hole	
Contact Resistance	20m ohms Max.			
Insulation Resistance	DC 500V 100M ohms Min.			
Dielectric Strength	AC 1500V 1 minute			
Operation Temperature	0°C~65°C			
Fuse size	φ6.35x31.8, φ6.4x30			



***MATERIAL:**

Frame: Black, Phenolic (94-V1)

Cap: Water Clear, PC (94-V2)

LED: Red

Terminals: Silver plated, Copper alloy

Printed: None

Waterproof: IP66

