

Sealed Lead Acid (SLA) Batteries

12V 20AH - M5/F3 Terminal

Model: S 4552



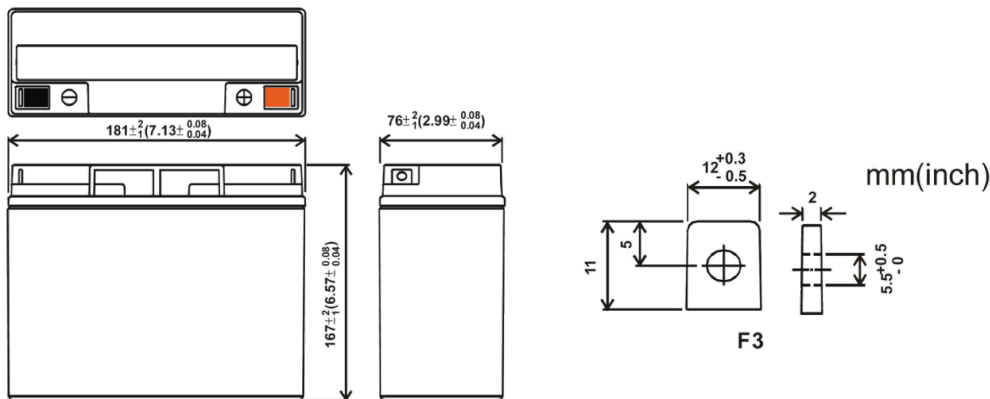
This 12V 20Ah sealed lead acid (SLA) battery is a compact battery for powering 12V equipment. It is commonly used in battery back up systems, alarm and communications systems and UPS units. Fitted with M5 bolt and nut terminals, these batteries are easily user replaced in most equipment they are used in. Cells are fully sealed to prevent any leakage of electrolyte. Our range of Powerhouse SLA batteries are from a quality supplier and are graded for use in UPS systems. We have found the quality of SLA batteries varies considerably between suppliers and often cheaper units have a shorter life span.

ActivFire Listed (afp3824). Conforms to IEC 60896-21:2004 and IEC 60896-22:2004.

Cell per unit	6	Ambient temperature	
Nominal Voltage (V)	12	Charge	0°C (32°F) to 40°C (104°F)
Nominal Capacity (Ah)	20Ah@ 20hour rate F.V.(1.75/cell)	Discharge	-15°C (5°F) to 50°C (122°F)
Weight	Approx 5.90kg (13.00Lbs.)	Storage	-15°C (5°F) to 40°C (104°F)
Internal Resistance (1KHz)	18mΩ	Max charge Current	
Max Discharge Current (5s)	290A		Max charge current : 6A
Battery Life :	Stand by : 3~5 years	Cycle use :	Charge voltage: 14.4 to 15.0V
Terminal Type	F3	Stand by :	Charge voltage: 13.50 to 13.80V
Container Material	ABS(Option : 94-HB & 94V-0 flame retardant case)		



DIMENSIONS	Length	Width	Height	Total Height
Unit: mm	181±1	76±1	167±1	167±1
Unit: inch	7.13±0.04	2.99±0.04	6.57±0.04	6.57±0.04



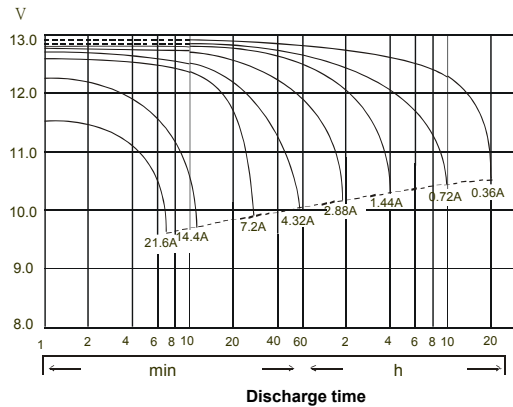
Constant current discharge characteristics Unit:A(25°C 77°F)										
F.V/Time	5MIN	15MIN	30MIN	60MIN	2HR	3HR	5HR	8HR	10HR	20HR
1.60V	80.2	38.5	23.4	13.1	6.83	5.03	3.42	2.35	1.92	1.01
1.65V	71.2	36.5	22.9	13.0	6.76	4.98	3.40	2.33	1.91	1.01
1.70V	67.3	35.5	22.7	12.9	6.70	4.93	3.38	2.32	1.90	1.00
1.75V	61.0	34.1	22.3	12.6	6.65	4.89	3.36	2.31	1.89	1.00
1.80V	54.4	32.7	21.8	12.2	6.60	4.86	3.35	2.30	1.88	1.00

Constant power discharge characteristics Unit:W(25°C 77°F)										
F.V/Time	5MIN	15MIN	30MIN	60MIN	2HR	3HR	5HR	8HR	10HR	20HR
1.60V	865.0	442.0	280.0	166.0	96.40	68.60	41.29	28.40	22.97	12.00
1.65V	780.0	420.0	274.0	164.0	96.00	68.50	41.17	28.30	22.97	11.50
1.70V	745.0	410.0	271.0	163.0	95.80	68.40	41.03	28.20	22.91	11.30
1.75V	677.0	390.0	266.0	161.0	95.30	67.90	40.80	27.90	22.80	10.90
1.80V	605.0	375.0	260.0	160.0	94.60	67.30	40.20	27.60	22.46	10.50

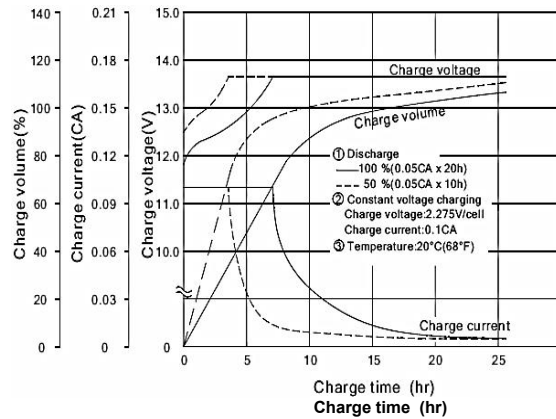
Sealed Lead Acid (SLA) Batteries
12V 20AH - M5/F3 Terminal
Model: S 4552



Battery Discharge Characteristics (25°C/77°F)



Battery Charge Characteristic for standby us



Charging Procedure

Application	Charging method	Charging Voltage at 20°C (68°F) (V/cell)	Temperature compensation coefficient of charging voltage (mV/°C/cell)	Max charge current (CA)	Charging time 0.1CA, 20°C (68°F) (H)		Temperature °C
					100% Charging	50% Charging	
For standby power Source	constant voltage & constant current charging	2.25~2.30	-3	0.3	24	charge current	0~40 (32~104°F)
For cycle Service	(with current restriction)	2.40~2.50	-4	0.3	16		

Discharge Current and Discharge Voltage

Discharge Current(A)	Final Discharge Voltage V/Cell
0.2C>(A)	1.75
0.2C<(A)<0.5C	1.7
0.5C<(A)<1C	1.6
1C<(A)	1.3