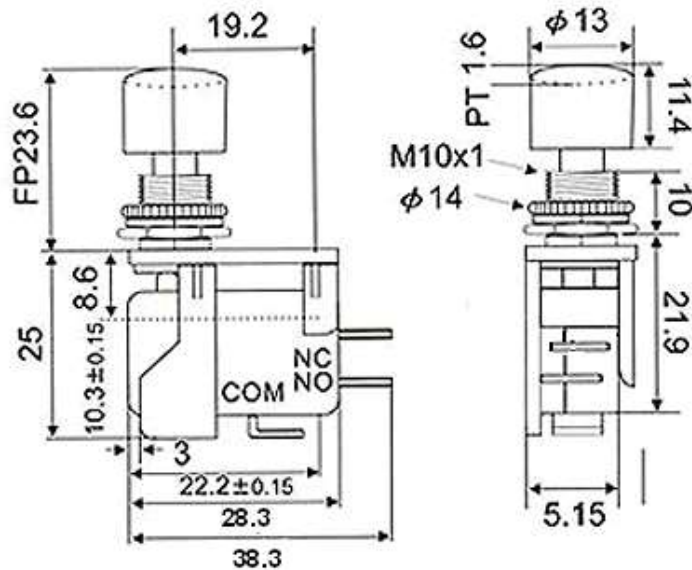


## S3255 - SPECIFICATIONS

Part No.	S3255 <b>Red</b>
Rating	5A 125 VAC
Contact resistance	15m $\Omega$ max (initial)
Insulation resistance	100M $\Omega$ (min.) (at 500 VDC)
Operating force (OF)	160 g (Min.)
Releasing force (RF)	28 g (Min.)
Operating position (OP)	14.7 $\pm$ 0.4mm
Pre-travel (PT)	1.2mm (Max.)
Over travel (OT)	0.8mm (Min.)
Movement differential (MD)	0.15~0.4mm (Max.)
Dielectric strength (between contacts)	1,000 VAC ; 50 / 60 HZ for 1 minute
Dielectric strength (between terminal and ground)	1,500 VAC ; 50 / 60 HZ for 1 minute
Mechanically service life	1,000,000 operations / (Min.)
Electrically service life	100,000 operation / (Min.)(at rated load)
Ambient temperature switches	-25 $^{\circ}$ C ~ 180 $^{\circ}$ C



# ALTRONIC DISTRIBUTORS Pty. Ltd.

ATF Altronic Unit Trust ACN:008 801 161 ABN:84 177 396 871

**Perth (Head Office)**  
174 Roe Street  
Perth WA 6000

**Sydney**  
15 Short Street  
Auburn NSW 2144

**Melbourne**  
891 Princes Highway  
Springvale VIC 3171

**Phone:** +61 8 9428 2199  
**Fax:** +61 8 9428 2198  
[www.altronics.com.au](http://www.altronics.com.au)