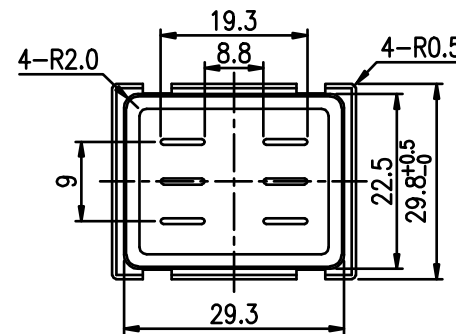


A 10:1



- 注:
- 1.未注圓角R0.3Max.
  - 2.縮水率約2.5%.
  - 3.脫模角度1°Max.

ITEM NO.:	TR5-01	CAVITY:	8	UNIT:mm	PAGE:1/1	SCALE:	1:1	SUPPLIER
ITEM NAME:	R5防水槽	VERSION:	2	DATE:	09/03/17	TOL.:	±0.05/2'	
DWG NO.:	TR5-01	DRAWN	CHECK'D	APP'D	REV.	DATE	DESCRIPTION	APP'D
MAT'L:	PVC POLISHED							
FIN'G:	NATURAL							
LIGHT COUNTRY CO.,LTD								