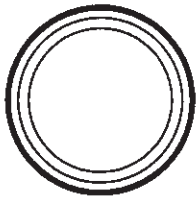
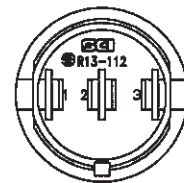
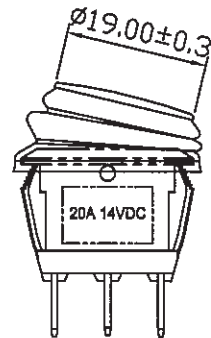
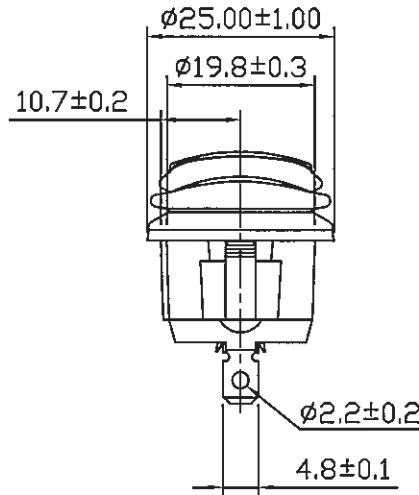
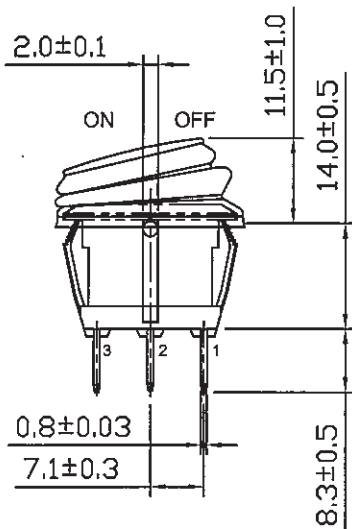
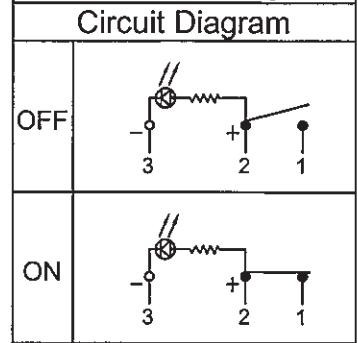


Rating	20A 14VDC	Mounting Hole	
Contact Resistance	50m ohm Max.		
Insulation Resistance	DC 500V 100M ohm Min.		
Dielectric Strength	AC 1500V 1 minute	Thickness:1.5~2.5	
Operation Temperature	-25°C ~ 85°C	Thickness:0.7~2.5	
Switch Function	3P SPST ON-OFF (LED dependent)		



***MATERIAL:**
 Frame: Nylon 66 (94-V2), Black
 Actuator: PC (94-V2), Blue
 Waterproof rubber: Silicone
 Terminals: Silver plated, Copper alloy
 Hot Stamping: None
 Waterproof: IP65
 LED color: Red



05/20/13			Rating	20A 14VDC	△	
Date	Name		Description		NO	
Drawn	Checked	Approved	ALTRONICS		Model Name	ROCKER SWITCH
					Model No.	S 3185
05/20/13			Unit	mm		