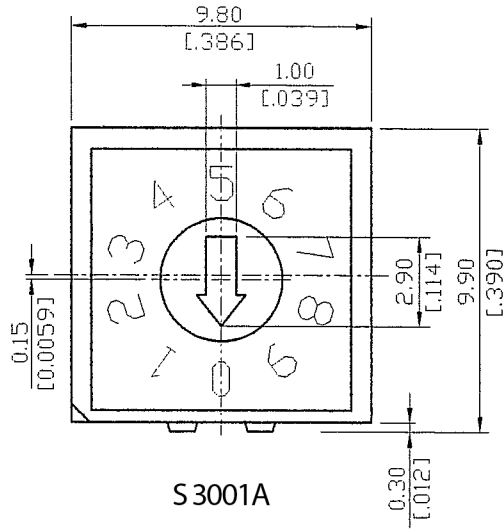
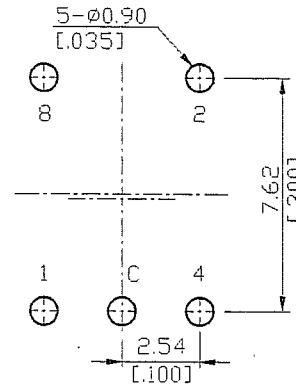


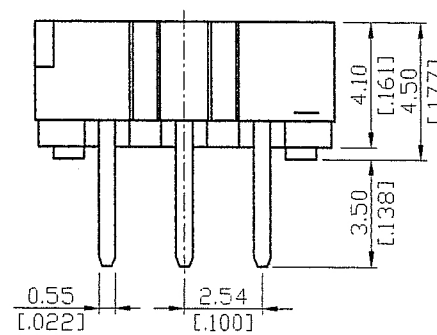
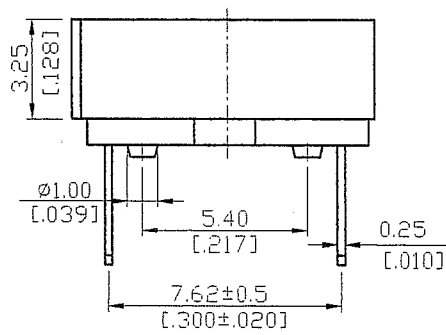
S3000A



S3001A



P.C.B. LAYOUT



NOTE:

1. ALL DIMENSIONS ARE IN MILLIMETERS ,
BRACKETED DIMENSION ARE IN INCHS.
2. GENERAL TOLERANCE: ±0.2 mm

		● REAL CODE				
		● COMPLEMENTARY CODE				
TYPE	POSITION	CODE				
	0 1 2 3 4 5 6 7 8 9 A B C D E F	1	2	4	8	
10 B	0	F	●	●	●	●
	1	E	○	●	●	●
	2	D	●	○	●	●
	3	C	○	○	●	●
	4	B	●	●	○	●
	5	A	○	●	○	●
	6	9	●	○	○	●
	7	8	○	○	○	●
	8	7	●	●	●	○
	9	6	○	●	●	○
10 B.C	A	5	●	○	●	○
	B	4	○	○	●	○
	C	3	●	●	○	○
	D	2	○	●	○	○
	E	1	●	○	○	○
	F	0	○	○	○	○

CIRCUIT CHART