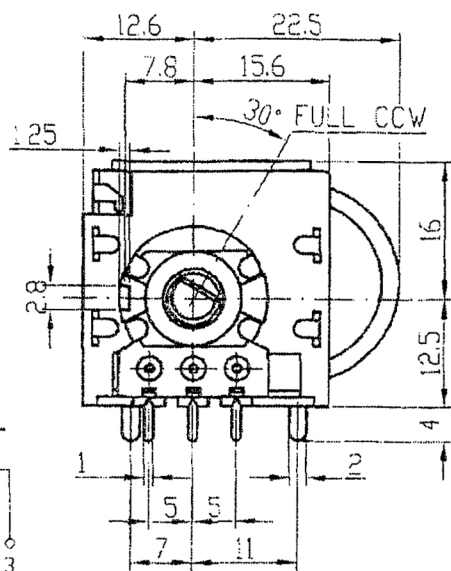
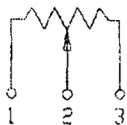


CIRCUIT



PCB LAYOUT

