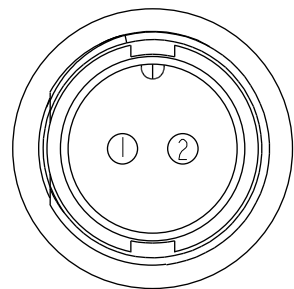
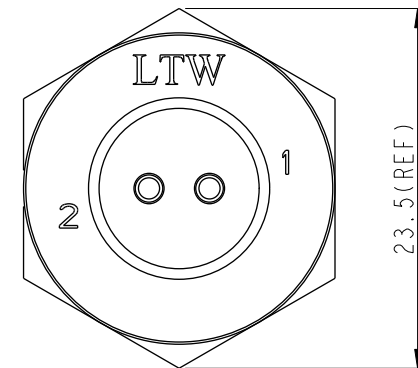
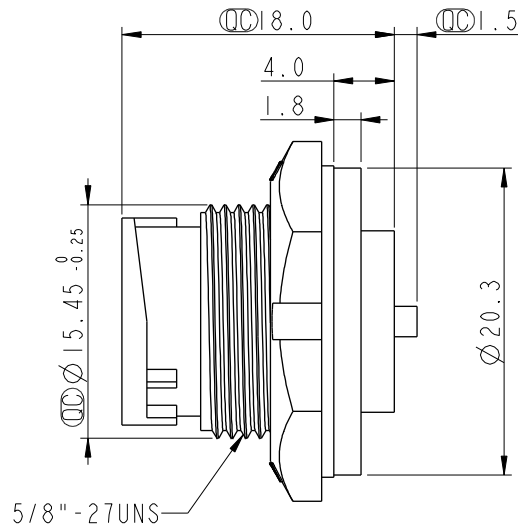
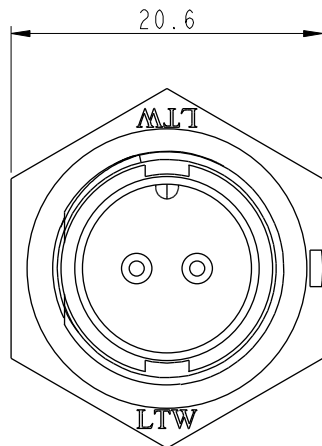


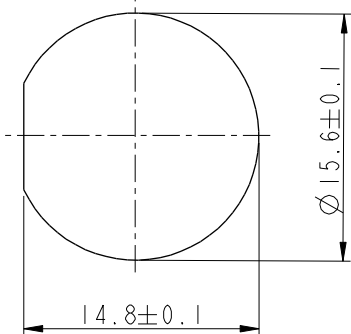
REV.	ECN NO.	DATE	SIGN	DESCRIPTION
B	LEN-8B0364	2008/09/17	Shin	Add Note

ALTW
CONFIDENTIAL
2012-03-14
R&D DEPT.

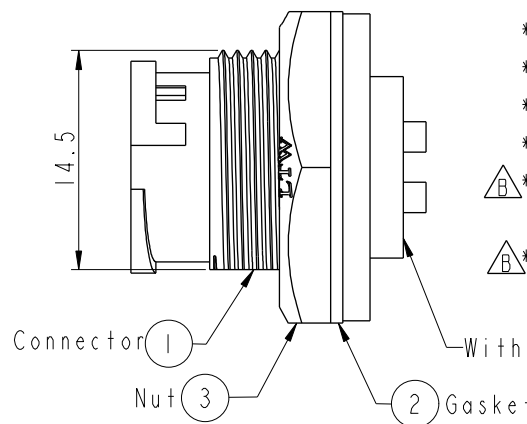
ALTW
DCC. DEPT.
CONFIDENTIAL
2012-03-26
ISSUED



Pin Assignments
Front View



Recommended Panel Cut-out



Note:

* \varnothing Important Dimension To Check.

* Waterproof Rate: IP67

* Housing: Black, Nylon+GF

* Pin: Copper Alloy, Gold Plated

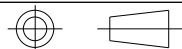
* Nut: Black, Nylon+GF

* Gasket: Black, EPDM

$\triangle B$ * Use With Waterproof Cap Or Dust Cap
Panel Thickness Max: 3.0mm

$\triangle B$ * Use Without Waterproof Cap Or Dust Cap
Panel Thickness Max: 4.5mm

UNIT: mm



TOLERANCE
.X ±0.25
.XX ±0.1
.XXX ±0.05
ANGLES ±1°

TITLE Standard Panel Lock 2Pin M Conn M Pin			
SCALE 2:1	SIZE A4	SHEET 1 OF 1	
REV. B	WC-REV. A.2	\varnothing : Inspection item	

Amphenol LTW
安費諾亮泰企業股份有限公司

ITEM NO. BD-02PMMS-LC7001	DRAWN BY SamChang	DATE 2012-03-14
DWG NO. BD-02PMMS-LC7001	CHECKED BY Jeffrey	DATE 2012-03-26
CUSTOMER ALTW	APPROVED BY Kevin	DATE 2012-03-26

THIS DOCUMENT IS SUBJECT TO CHANGE WITHOUT NOTICE. IT IS CONFIDENTIAL AND A PROPERTY OF AMPHENOL LTW. DISCLOSURE TO THIRD PARTY HAS TO BE AUTHORIZED BY AMPHENOL LTW.