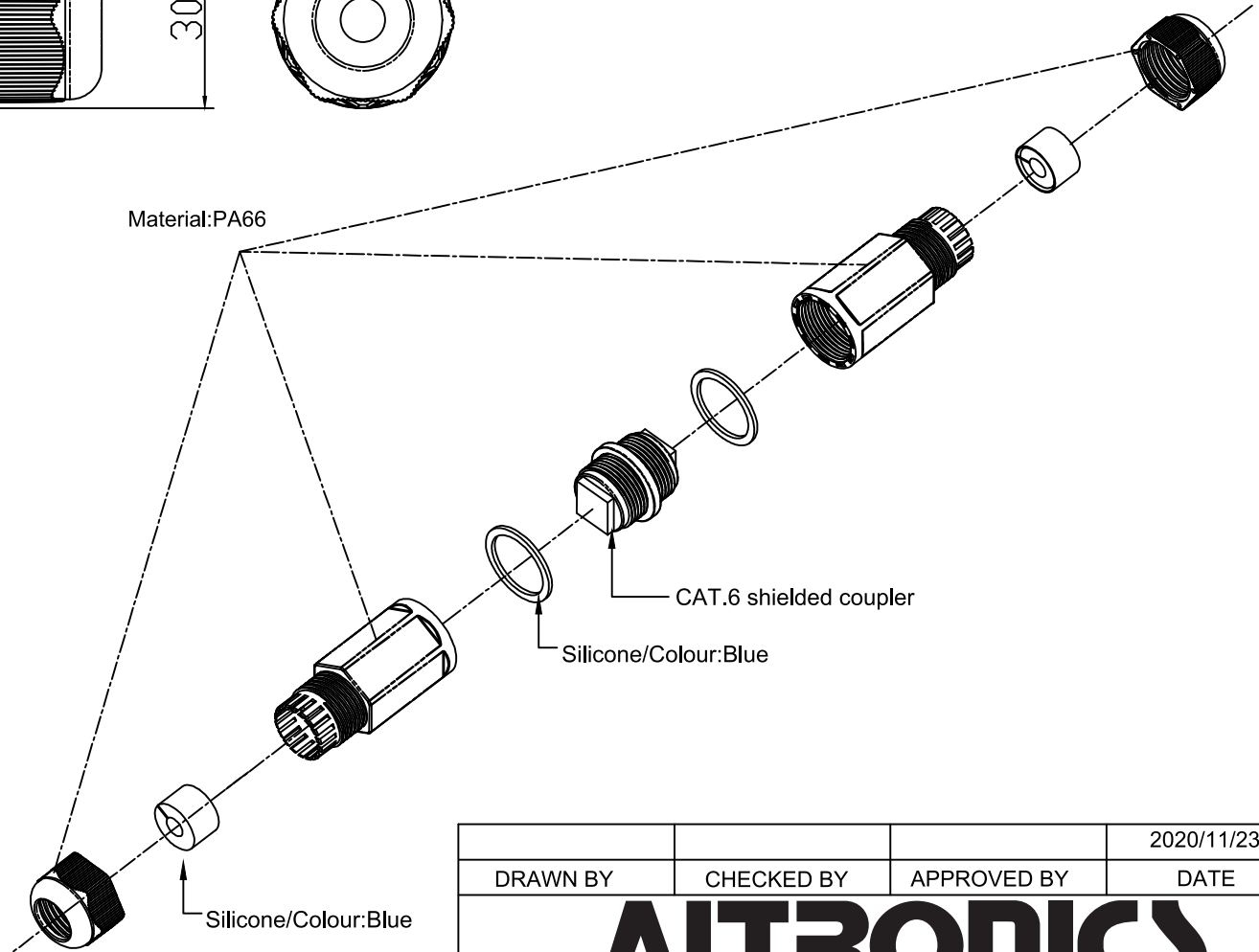
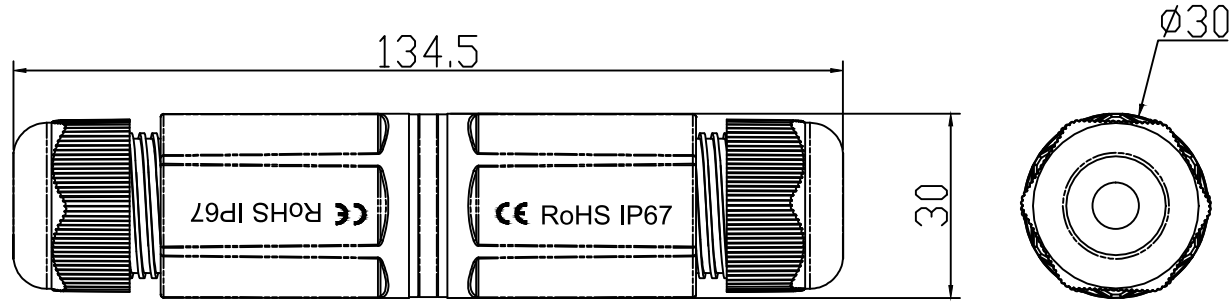


CONFIGURATION DETAILS OF  
UNDIMENSIONED FEATURES  
MAY VARY

REVISIONS			
REV	DESCRIPTION	DATE	APPROVED
A			



**SPECIFICATIONS**

**Coupler Material**  
 Shield: BRASS  
 Plastic Housing: ABS  
 RJ45 contact material & finished:  
 Phosphor Bronze Nickel plated  
 Contact area: Gold plated

**Performance**  
 Insertion force: 900gms for 8 contacts.  
 Retention strength: 7.7kgs between jack and plug.  
 Operation temperature: -20°C to 68°C

**Durability**  
 Jack: 750 cycles plug-jack mating and unmating test,  
 Insertion cycle at 20 cycles/minute max.  
 Contact resistance test per 100 cycles.  
 The cat.6 performance is in compliance with the ANSI/TIA/EIA 568C standard. RoHS2.0 (2011/65/EU) Compliant

			2020/11/23
DRAWN BY	CHECKED BY	APPROVED BY	DATE
<b>ALTRONICS</b>			
PRODUCT TITLE: IP67 In-Line Weatherproof Cat6 Joiner		ITEM NO.	P 9304
CUSTOMER:		PROJECTION	
SCALE: NONE	UNITS: mm	SHEET: 1/1	