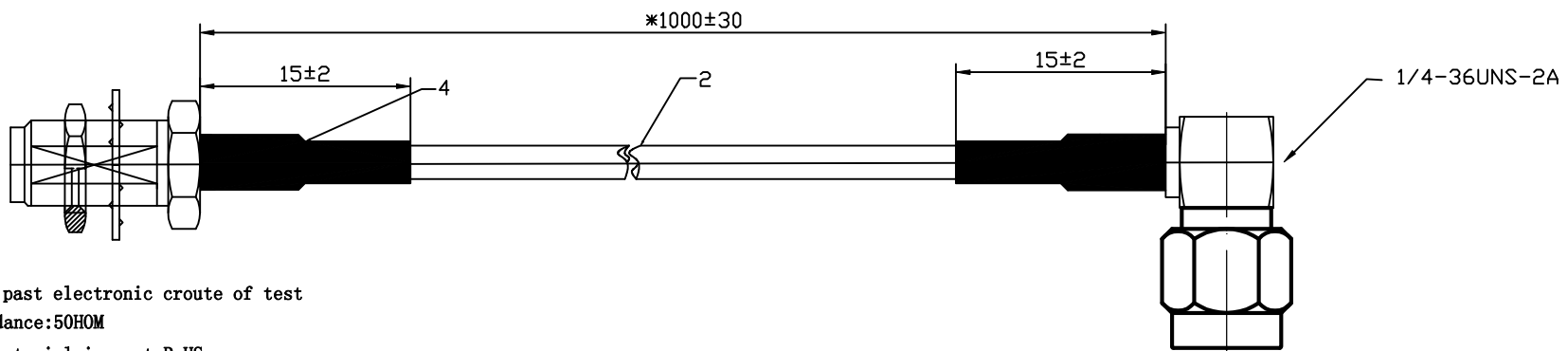


A B C D E F



- 1. 100% past electronic croute of test
- 2. Impedance:50HOM
- 3. The material is past RoHS
- 4. SMA female to SMA R/A male cable assemble pulling force is>10N
- 5. Cable color is brown RG316 coax cable
- 6. SMA female to SMA R/A male length is 1000mm+/-30
- 7. Temperature:250degree
- 8. Voltage:300V
- 9. VSWR: 1.5MAX<0-3GHZ
- 10. Electronic Insulation:300v
- 11. Black sleeve length should be not more than 15mm from crimping area

SMA R/A male connector of product details

- Body:brass with Gold plated
 - Contact:brass with gold plated
 - Insulation:teflon
- SMA female connector of product details
- Body:brass with Gold plated
 - Contact:brass with gold plated
 - Insulation:teflon

- Cable of product details
- Inner conductor:Sliver plated copper clad steel
 - Dielectric:Polytetrafluoroethylene
 - Outer conductor:Sliver plated copper single braiding
 - Jacket:FEP

Products of name

SMA female to SMA R/A male assemble for 1000 mm RG316 cable brown
P 6127

D E F