

**Perth (Head Office)**  
174 Roe Street  
Perth WA 6000

**Sydney**  
15 Short Street  
Auburn NSW 2144

**Melbourne**  
891 Princes Highway  
Springvale VIC 3171

**International**  
Phone: 61 8 9428 2188  
Fax: 61 8 9428 2187

Australia-Wide Sales Hotline  
**Phone: 1300 797 007 Fax: 1300 789 777**

Order Online  
**[www.altronics.com.au](http://www.altronics.com.au)**

## Product Specification Sheet

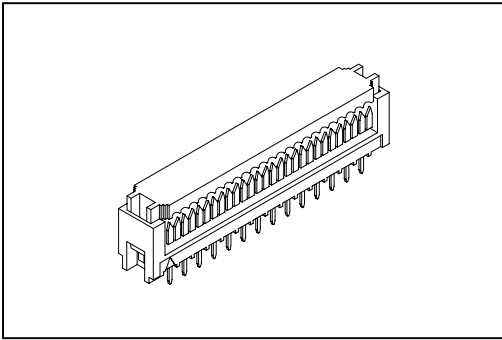
**Brand: Oupiin**

Part Supplier Order Numbers with a /SN suffix are RoHS Compliant

Part No	Description	Supplier Ordering Info
P 5160	TRANSITION PLUG 2.54 10 POS	6011-10TB
P 5162	TRANSITION PLUG 2.54 14 POS	6011-14TB
P 5164	TRANSITION PLUG 2.54 16 POS	6011-16TB
P 5166	TRANSITION PLUG 2.54 20 POS	6011-20TB
P 5168	TRANSITION PLUG 2.54 26 POS	6011-26TB
P 5170	TRANSITION PLUG 2.54 34 POS	6011-34TB
P 5172	TRANSITION PLUG 2.54 40 POS	6011-40TB
P 5174	TRANSITION PLUG 2.54 50 POS	6011-50TB
P 5370	CONNECTOR EDGE IDC 10WAY	YSF10

# 6011 Series

Transition Plug 2.54mmX2.54mm(0.100"X0.100")



## Material:

Housing: 30% Glass filled PBT UL94V-0.

Contacts: Phosphor Bronze.

Plating: Selective gold plated: gold plated on wire cutting area.

Gold plated over nickel.

Tin plated over nickel.

Cable: 1.27mm(0.050") pitch flat cable.

## Electrical Characteristics:

Current Rating: 1 AMP.

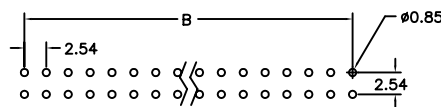
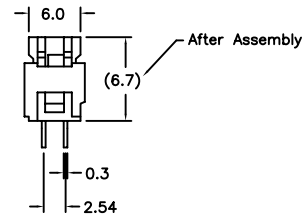
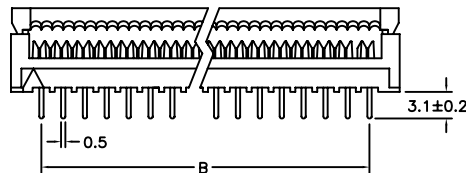
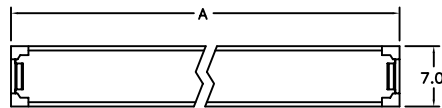
Insulator Resistance: 5000M $\Omega$ min. at DC 500V.

Contact Resistance: 20m $\Omega$ max. at DC 100mA.

Operating Temperature: -55°C~+105°C.

## Features:

- \* Fast connection of flat cable to PC board.
- \* Recommended 28AWG 1.27mm(0.05") flat cable.
- \* Plug directly into 2.54mmX2.54mm PC board.



P.C. Board Layout

Position	Dimension	
	A	B
10	17.18	10.16
14	22.26	15.24
16	24.80	17.78
20	29.88	22.86
26	37.50	30.48
30	42.58	35.56
32	45.12	38.10
34	47.66	40.64
40	55.28	48.26
50	67.98	60.96
60	80.68	73.66
64	85.76	78.74

## Ordering information

<u>6011-</u>	<u>60</u>	<u>G</u>	<u>00</u>	<u>B</u>	<u>A</u>
Series	No. of Pin Count	C: Selective Gold Plated G: Gold Plated T: Tin Plated	00: G/F 10: 10 $\mu$ " 15: 15 $\mu$ " 30: 30 $\mu$ "	B: Black Y: Grey	A: Tray Package