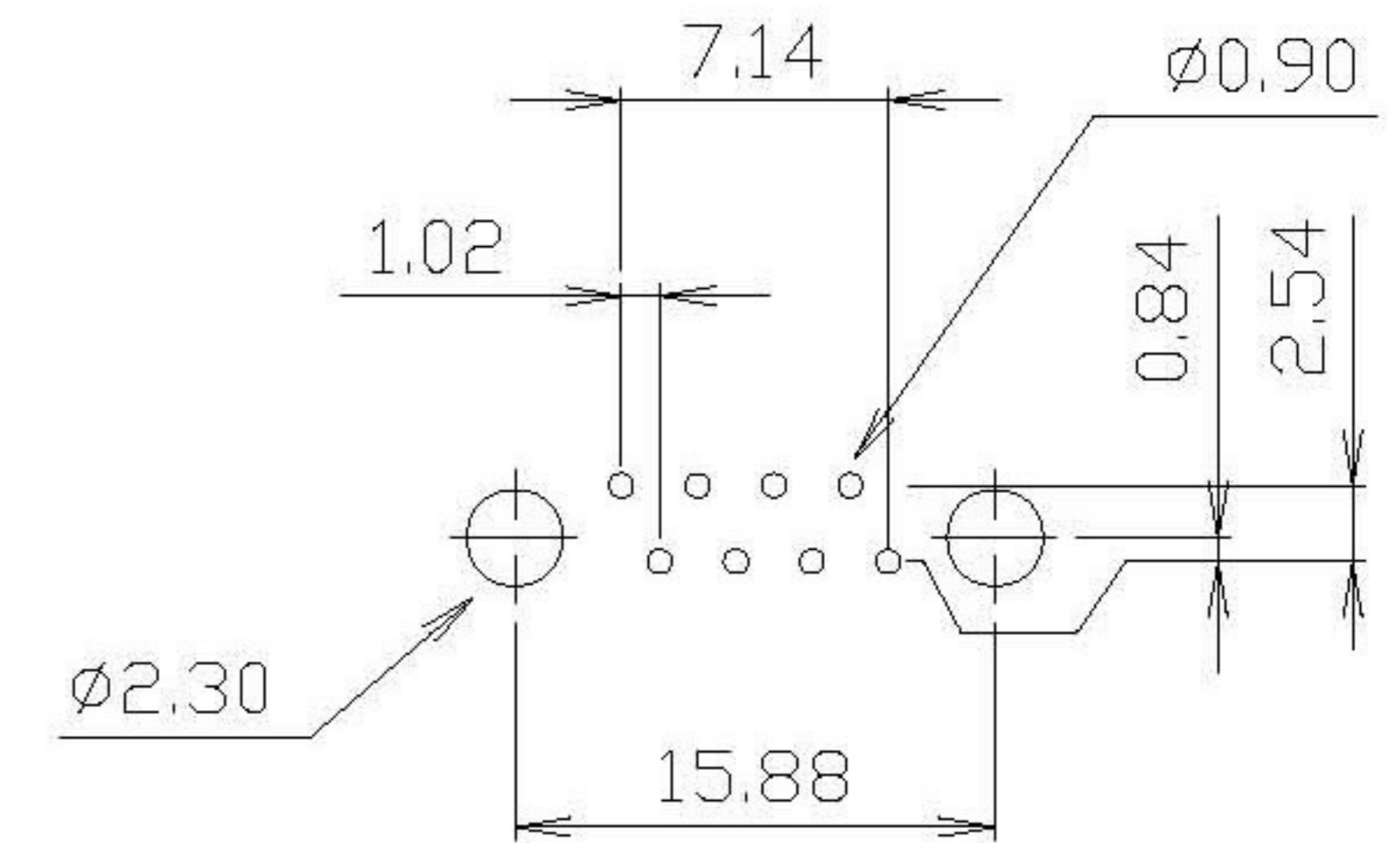


MATERIALS:

- HOUSING-NYLON66 POLYESTER UL94V-0 MIXED GLASS FIBER, STANDARD COLOR-BLACK
- CONTACTS & SHORTING BUSS-0.45mm DIA. ROUND PHOS-BRONZE PLATED WITH HARD GOLD.

CAVITY CONFIRMS TO FCC RULES AND REGULATIONS PART 68,SUBPART F.



PC Board Layout Ref.

**OUPIIN ENTERPRISE CO., LTD.**

**P/N: 8949-G88/06BA**

DO NOT SCALE DRAWING

TOLERANCES UNLESS OTHERWISE NOTED

INCH

MM

DR.  
*M.L.HUANG*

DATE  
NOV-26 '07

THIRD ANGLE PROJECTION

LINEAR  $\frac{\text{MM}}{\text{INCH}}$

00 ± .01  
000 ± .005  
0000 ± .002

0.0 ± 0.25  
0.00 ± 0.13  
0.000 ± 0.05

CK'D  
*M.CHANG*

NOV-26 '07

TITLE  
8POSITION  
SIDE ENTRY PCB JACK

MM  
INCH

ANGLE ± 0° 30'

RADII

+ 0.40  
- 0.15

APP'D  
*W.J.YANG*

NOV-27 '07

SCALE SIZE DWG.NO.  
890801

REV. SHEET  
2 1