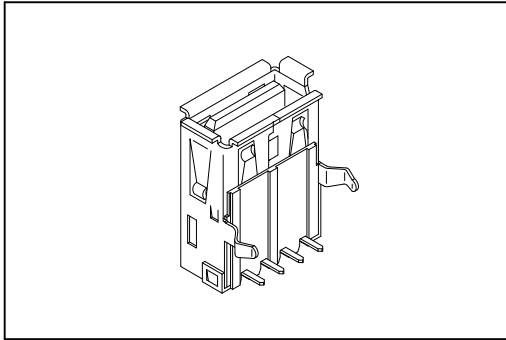


8968-A Series

USB A Type



Material:

Housing: Thermoplastic Polyester Glass Filled UL94V-0.

Contacts: Copper Alloy.

Shell: Copper Alloy.

Electrical Characteristics:

Current Rating: 1 A.

Dielectric Withstanding Voltage: AC 500V.

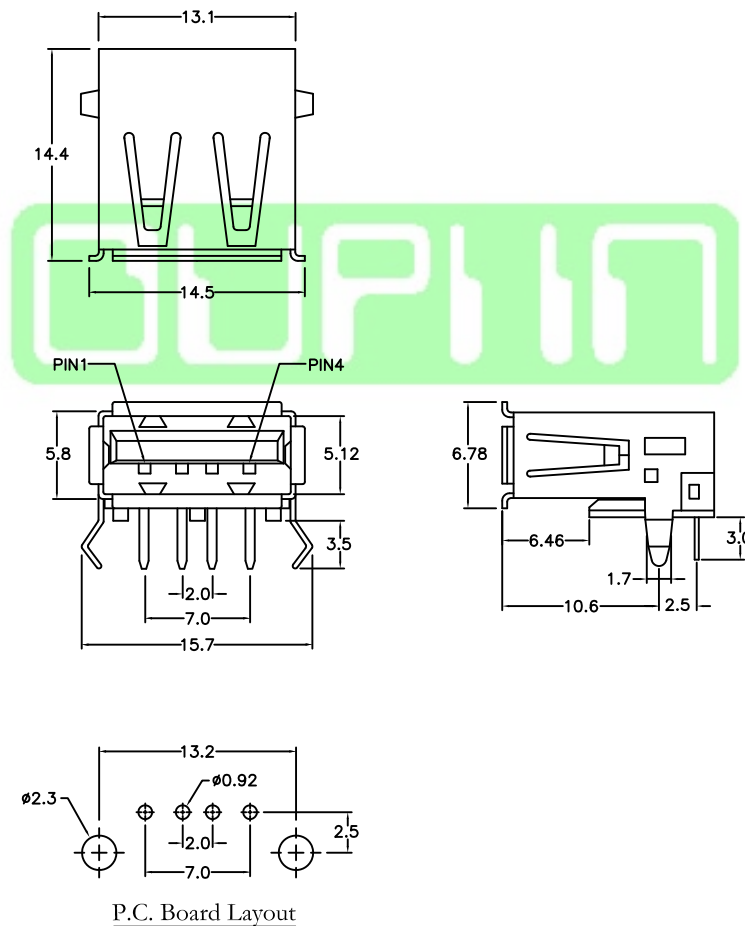
Insulator Resistance: 500MΩ min.

Contact Resistance: 30mΩ max.

Operating Temperature: -40°C~+105°C.

Features:

- * Compact and low profile design for saving space.
- * High reliable contact with low insertion force.
- * Straight and Right Angle Type facilitate engineering design.



Ordering information

<u>8968-A</u>	<u>04</u>	<u>C</u>	<u>00</u>	<u>R</u>	<u>W</u>	<u>A</u>
Series	Position	C: Selective Gold Plated	00: G/F 30: 30 μ"	R: Right Angle	W: White B: Black	A: Tray Package