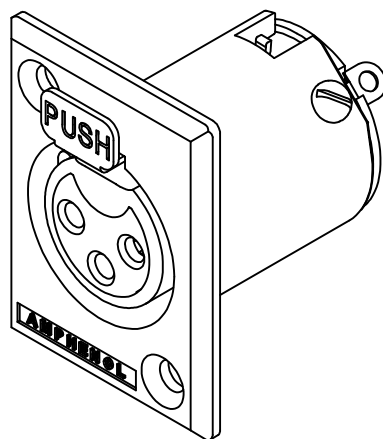


PANEL CUT OUT



ISO VIEW

AC*FPZ	INSERT No.
AC3FPZ	156-4065-*00
AC4FPZ	156-4073-*00
AC5FPZ	156-4074-*00
AC6AFPZ	156-4075-*00
AC7FPZ	156-4076-*00

UNLESS OTHERWISE SPECIFIED TOLERANCE TO BE		THIS DOCUMENT IS THE PROPERTY OF AMPHENOL AUSTRALIA PTY. LTD.. NO PART THEREOF MAY BE REPRODUCED AND USED WITHOUT THE PRIOR WRITTEN CONSENT OF THE OWNER				2	UPDATE TO AMPHENOL TITLE BLOCK & LOGO ADD SHEET 2 OF 2 FOR CUSTOMER DRAWING	L.V	02-10-01	7871
LINEAR	ANGULAR	CAD FILE: 00822102				0	FIRST ISSUE	D.v.E.	21-09-1995	----
X ± 0.50	X' ± 1'	DRN:	D.v.E.	DATE:	21-09-95	REV.	CHANGE DETAILS	BY	DATE	CHG/No
X,X ± 0.10	X,X' ± 30'	MATL:	REFER TO COMPONENT	CKD:	M.N.H	DATE:	24-10-01	TITLE:		
X,XX ± 0.05	X'X'X' ± 15'	DO NOT SCALE	FINISH:	REFER TO COMPONENT	APP'D:	P.M	DATE:	29-10-01	AC*FPZ PANEL MOUNT CUSTOMER DRAWING	
DIMENSIONS IN MILLIMETRES		THIRD ANGLE PROJECTION		SCALE:	2:1 UOS	PART No:	128462-0000	SIZE:	A3	Amphenol Amphenol Australia Pty Ltd, 2 Fineways Blvd, Keysborough, Vic 3173 DRAWING NO. 128462-0000 SHEET 2 OF 2

Mouser Electronics

Authorized Distributor

Click to View Pricing, Inventory, Delivery & Lifecycle Information:

[Amphenol:](#)

[AC3FPZ](#) [AC4FPZ](#) [AC7FPZ](#)