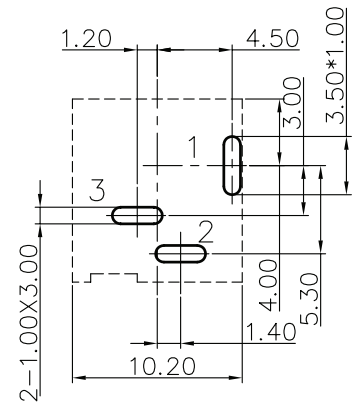
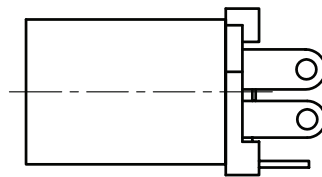
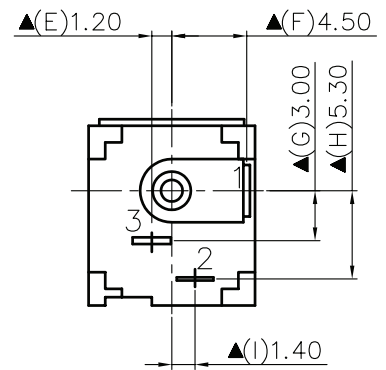
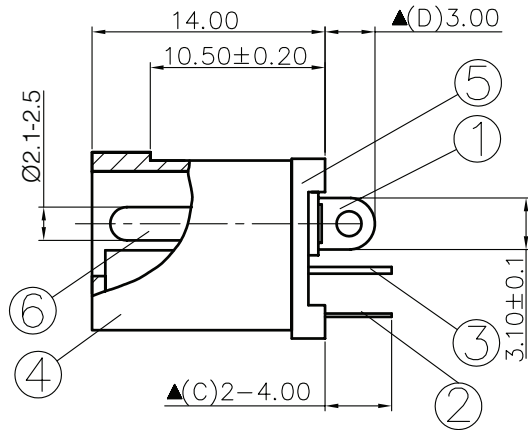
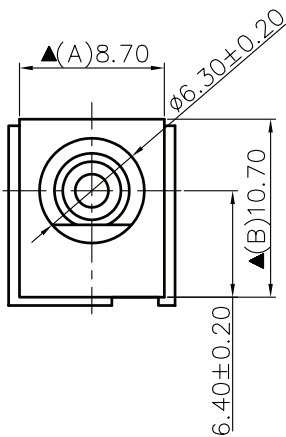
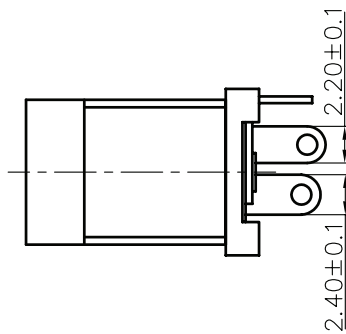


SCHEMATIC	
MODEL NO	C



Pin Hole Layout
(Jack Bottom View)

6.	Pin(2.0 ϕ)	Copper	1	Nickel Plated
5.	Cover	PBT	1	Black Color
4.	Housing	PBT	1	Black Color
3.	Break Terminal	0.4T Brass	1	Silver Plated
2.	Sleeve Spring	0.25 Phosphor Bronze	1	Silver Plated
1.	Pin Terminal	0.4T Brass	1	Silver Plated
NO.	Description	Material	Q'TY	Finish

SPECIFICATIONS:
 See "Details of Environment-Related Substance"
 Contact Resistance : 30m Ω max
 Current Rating : Max 2.0A , 16V DC
 Insulation Resistance : 100M Ω min. at DC 500V
 Dielectric Withstand Voltage : AC 500V for one minute
 Remark: ▲ : The Most Important Dimension

ALTRONICS

DATE	DWN	CHKD	APVD	MANAGER
11.18.2005				

PART NAME :DC POWER JACK PART NUMBER: P 0626-627 VERSION:5.0

TOLERANCE :±0.3mm UNLESS OTHERWISE SPECIFIED UNIT:mm SCALE:1/1