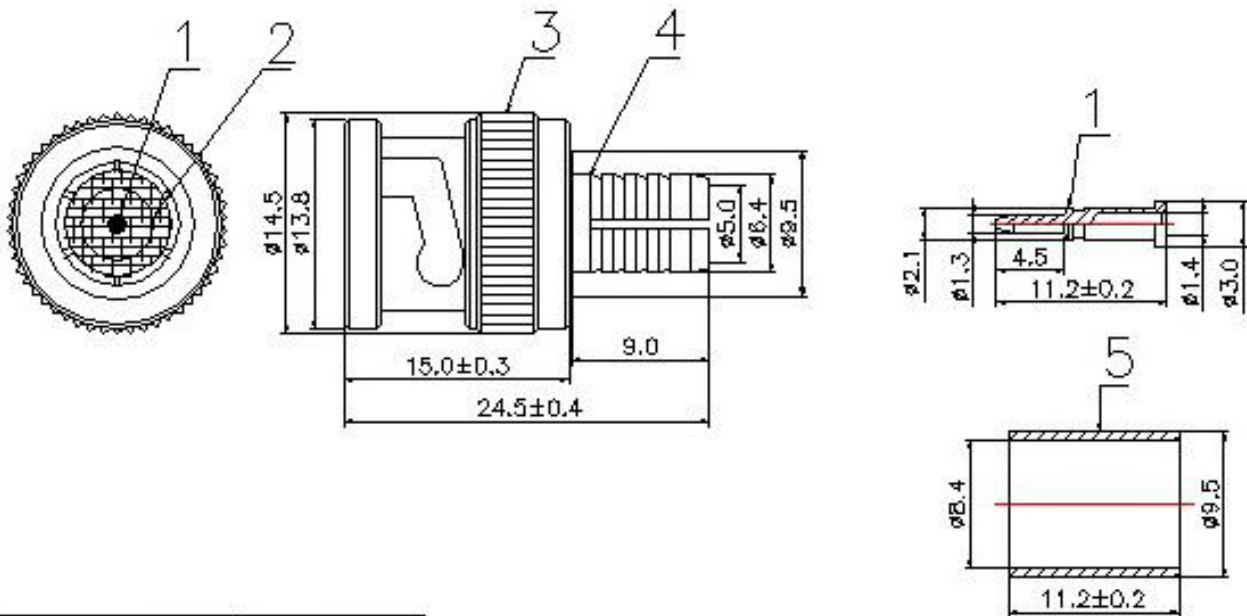


Specification Sheet

Revision Date :03/11/09

DESCRIPTION: BNC MALE LINE PLUG RG6 QUAD CRIMP TYPE

PART NUMBER: P 0513



5	FERRULE	Cu							
4	BODY	Cu							
3	BNC SHELL	Zn							
2	INSULATOR	POM							
1	PIN	Cu							
ITEM	DESIGNATION	MATERIAL	TOLERANCE		SIGNATURES		DATE		
			0 - 16	±0.05	DRAFT:	En Song Zuo	05.06.22		
			10 - 20	±0.03	CHECKED:				
			20 - 50	±0.02	APPROVAL:				
REV.	ECO	PART NO.	DATE	BY				TITLE	BNC MALE CRIMP TYPE
A0		JR-6001/5C, W/SLOT			SHEET	SCALE	UNIT	REV.	
B					OF		MM	φ	CUSTOMER