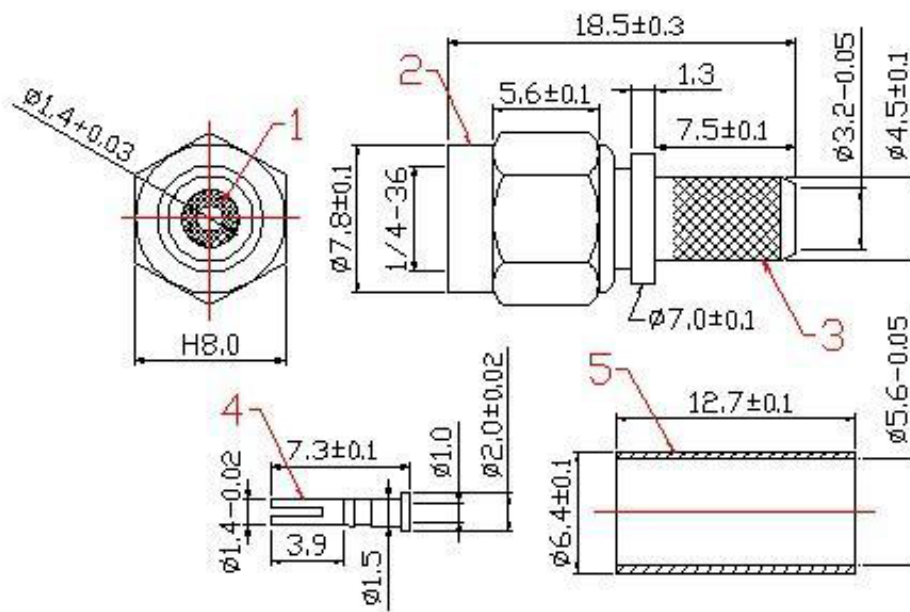


# Specification Sheet

Revision Date :03/11/09

DESCRIPTION: SMA REVERSE SOCKET FEMALE CRIMP ON GOLD RG58U

PART NUMBER: P 0438



5	COPPER TUBE	Cu
4	PIN	Cu
3	BODY	Cu
2	SHELL	Cu
1	DIELECTRIC	TEF

ITEM	DESIGNATION	MATERIAL	TOLERANCE	SIGNATURES	DATE		
				DRAFT: YangYongRui	05.09.23		
				CHECKED: HuGongXue			
REV.	ECO	PART NO.	DATE	BY	APPROVAL:	TITLE	CUSTOMER
A0		JR-6894-58U				R/P SMA Male Crimp Type	
B							