

Specification Sheet

Revision Date 17/03/09

DESCRIPTION: 7VA TRANSFORMERS

PART NUMBER: M 7112A, M 7115A, M 7118A, M 7124A, M 7130A

FEATURES:

- Electrical authority approved to AS/NZ 61558.2.6
- Thermal fuse protection built in
- Manufactured using high quality grain oriented silicon steel
- Tinned pins for easier soldering
- Suitable for wave soldering

APPLICATIONS:

- High efficiency & low voltage power supplies
- Suitable for use in industrial control devices, communications equipment or any application demanding a high quality approved power supply transformer.

APPROVALS:

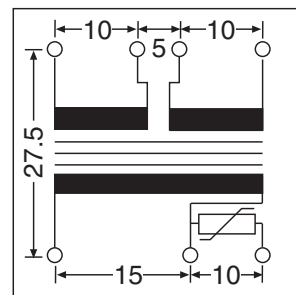
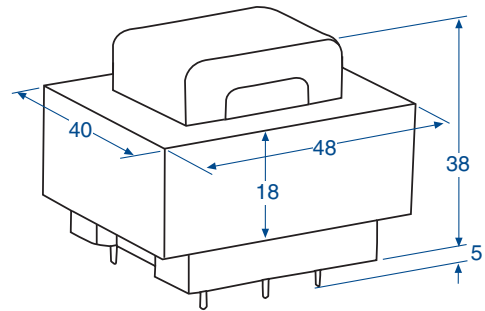
- AS/NZS 61558.2.6
- ROHS Compliant



SPECIFICATIONS:

Current A is the TOTAL current available when the secondary windings are connected in parallel. Current B is the current available from one secondary only. All transformers listed have a 240V AC primary winding.

Model Number	Power Rating	Secondary Voltages (V)	Current A (Amps)	Current B (Amps)
M 7112A	7VA	6 + 6	1.166A	0.583A
M 7115A	7VA	7.5 + 7.5	0.933A	0.466A
M 7118A	7VA	9 + 9	0.77A	0.388A
M 7124A	7VA	12 + 12	0.58A	0.29A
M 7130A	7VA	15 + 15	0.466A	0.233A



Top View

- Primary voltage:240V AC
- Total VA rating:7VA
- Insulation:Class B (130°C)
- Magnetising current:<30mA
- Temperature rise:<65°C
- Recommended AC Fuse:100mA
- Regulation:~11%
- Weight:~265g
- PCB hole size:1mm
- Thermal Fuse:Internal 115°C
- AS/NZS 61558.2.6 approval:Q04081

Specifications subject to change without notice. We recommend you obtain a sample to confirm suitability for your application.

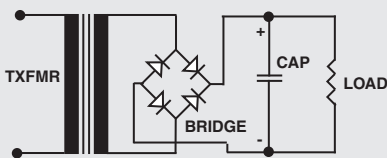


Fig.2 Bridge rectifier
Volts DC = 1.41 x Volts AC
Amps DC = 0.62 x Amps AC

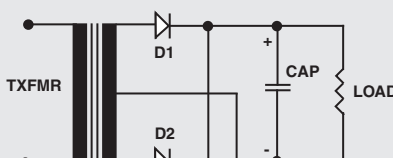


Fig.1 Full wave rectifier
Volts DC = 0.71 x Volts AC
Amps DC = Amps AC

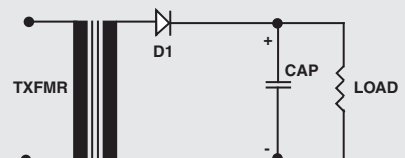


Fig.3 Half wave rectifier
Volts DC = 1.41 x Volts AC
Amps DC = 0.28 x Amps AC

Important Power Supply Design Criteria (Applicable to all transformer brands).

A transformer's VA rating is calculated by multiplying the secondary AC voltage and the secondary AC current. For example, a 24V, 2A transformer would have a rating of 48VA. Fig. 1 shows a full wave, centre tapped, rectifier circuit, allowing more current at a lower voltage (for the same VA rating) than the standard full wave bridge arrangement shown in fig. 2. Fig. 3 shows a half wave rectifier with a capacitor filter.

- Volts AC = Transformer secondary voltage
- Volts DC = Supply output voltage
- Amps AC = Transformer max secondary current
- Amps DC = Maximum supply output current