

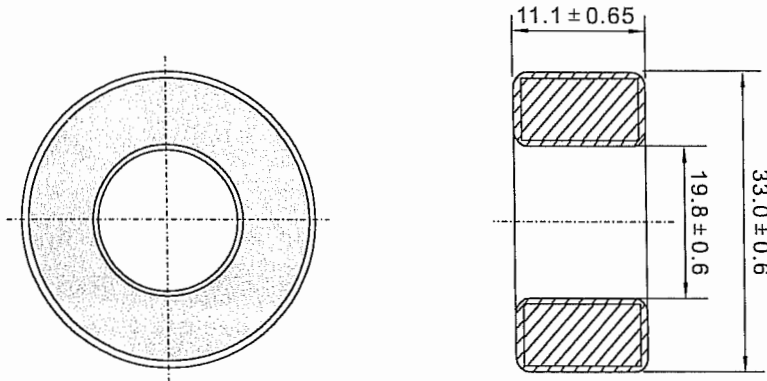
Specification Sheet

Release Date:

Manufacturers please note, we recommend that a sample is obtained to confirm suitability. Specifications subject to change without notice.E&OE. © Altronic Distributors Pty. Ltd. ABN 84 177 396 871

Altronics Part Number	Description	Supplier Info
L4534A	33 X 19.8 X 11.1 Toroid Core	

1. DIMENSIONS:(mm) After Cating



2. ELECTRICAL CHARACTERISTICS

AL nH/N ²	le cm	Ae cm ²	Ve cm ³	W cm ²	Wt g	Box quantity
11+/-25%	8.28	0.698	5.78	3.077	30	432
TEST CONDITIONS	AL: F=10KHz U=1V T=25°C ±3°C					
TESTING EQUIPMENT	HP4284A		CH-258			

3. MATERIAL CHARACTERISTICS

Inductance: 4.4uH +15%/-0%@ ϕ 0.29,20Ts,10KHz,1V

Production : Iron powder core

Q: 15Min@ ϕ 0.29mm,20Ts,200KHz,1V

DC-Bias: 90%Min@ ϕ 0.5mm/55Ts,10KHz/1V,L(6.0A)/L(0A)X100%(Hdc=50Oe)

Hi-Pot: 600Vrms,0.5mA,2sec