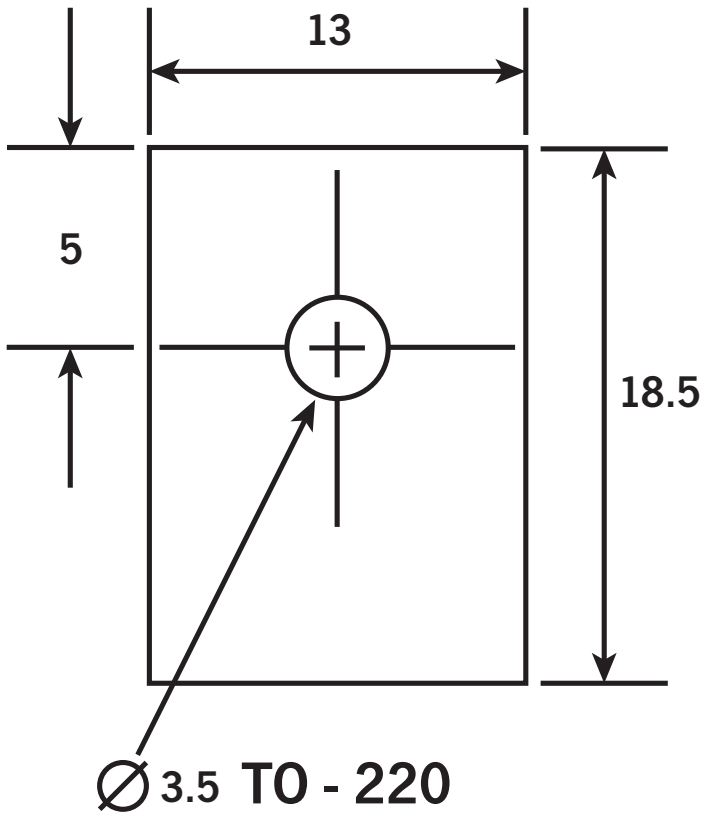


# Specification Sheet

Revision Date :10/02/12

DESCRIPTION: SILICON RUBBER TO220 INSULATION PAD PK 1000

PART NUMBER: H 7213



|                 |                            |
|-----------------|----------------------------|
| MATERIAL        | 0.3±0.03MM SILICONE RUBBER |
| UL PRODUCT CODE | QMFZ2                      |
| UL FILE NO      | E89757                     |
| FLAME CLASS     | 94V-0                      |
| COLOUR          | GREY                       |