

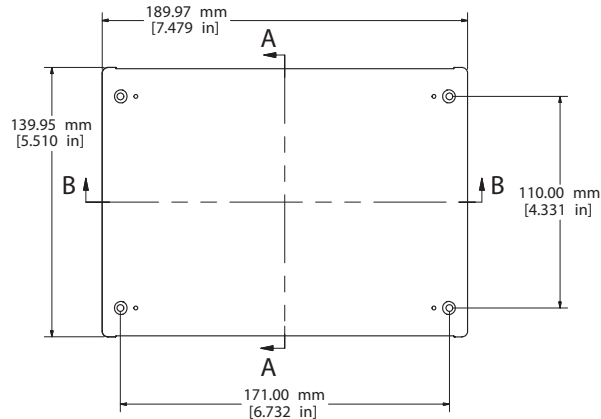
ALTRONICS Specification Sheet

Phone: 1300 797 007 Internet: www.altronics.com.au
 Fax: 1300 789 777 Email: info@altronics.com.au
 International Phone: +61 8 9428 2188

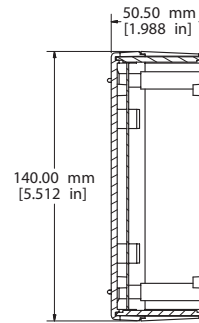
Manufactures please note, we recommend that a sample is obtained to confirm suitability. Specifications subject to change without notice.E&OE. © Altronic Distributors Pty. Ltd. ABN 84 177 396 871

Revision Date: 11/06/2010

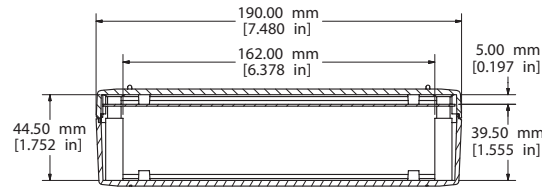
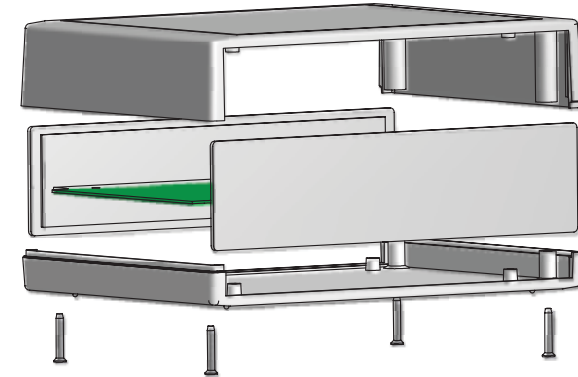
Altronics Part Number	Description	Supplier Ordering Info
H 0374	Ritec® ABS Instrument Case 190W x 140D x 50H mm	RM2055M



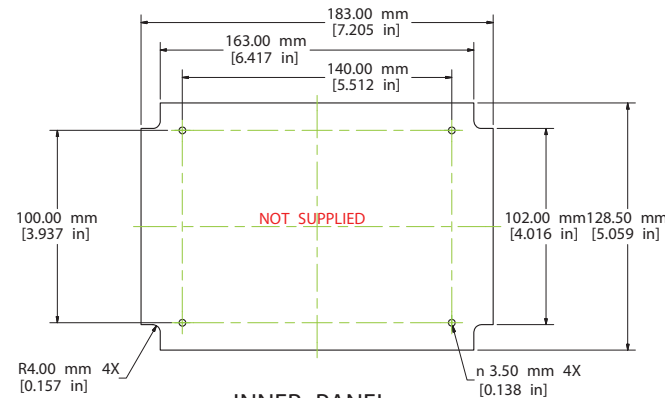
ASSEMBLY - TOP



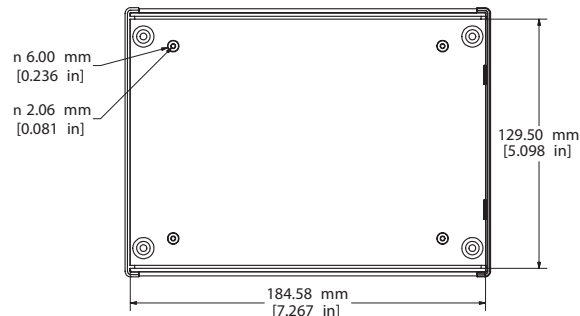
SECTION A-A



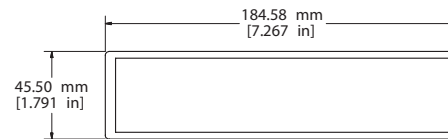
SECTION B-B



INNER PANEL



BASE - INSIDE



SIDE PANEL

RM2055M
Material: ABS (UL94-HB), Light Grey color
Lid Screws: M3 x 20
Circuit Board Screws, 4 Supplied (M3 self tap)
Suggested Lid Screw Torque: 30 ozf-in (21 cN-m)

Measurements given in mm.