

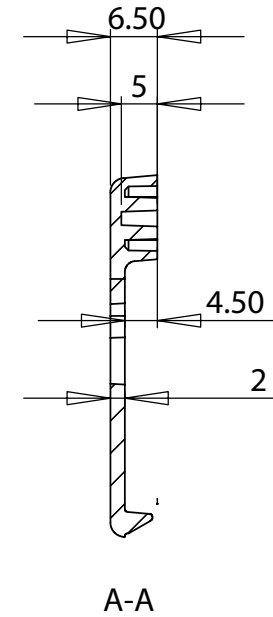
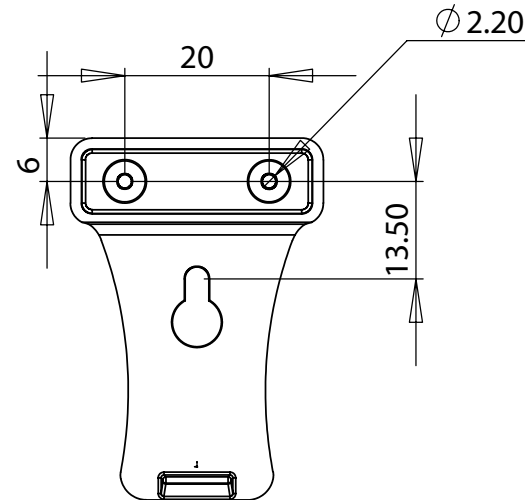
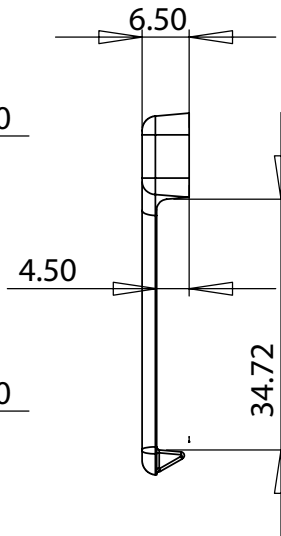
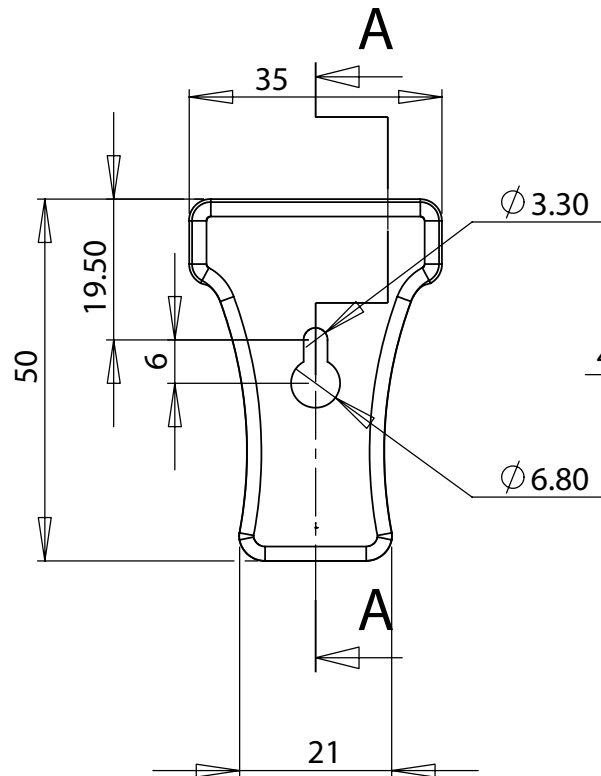
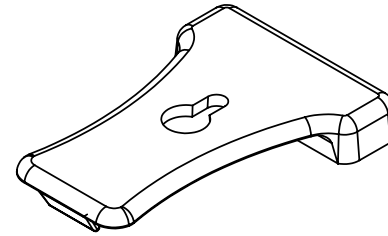
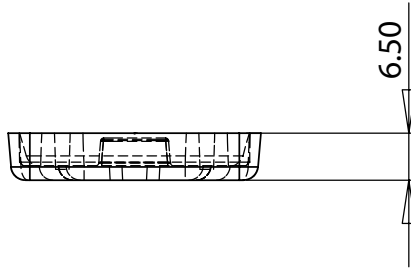
ALTRONICS Specification Sheet

Phone: 1300 797 007 Internet: www.altronics.com.au
 Fax: 1300 789 777 Email: info@altronics.com.au
 International Phone: +61 8 9428 2188

Manufactures please note, we recommend that a sample is obtained to confirm suitability. Specifications subject to change without notice.E&OE. © Altronic Distributors Pty. Ltd. ABN 84 177 396 871

Revision Date: 16/03/2010

Altronics Part Number	Description	Supplier Ordering Info
H 0348	Belt Clip Grey Plastic	CP-001 Grey Colour ROHS



Measurements given in mm.