

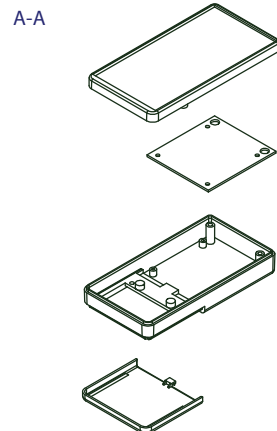
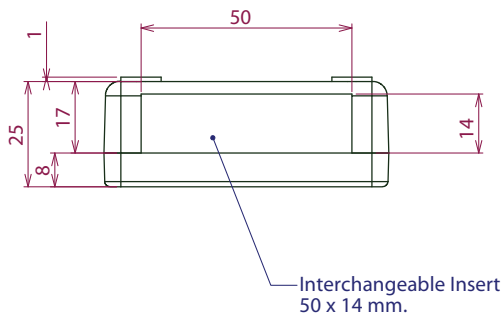
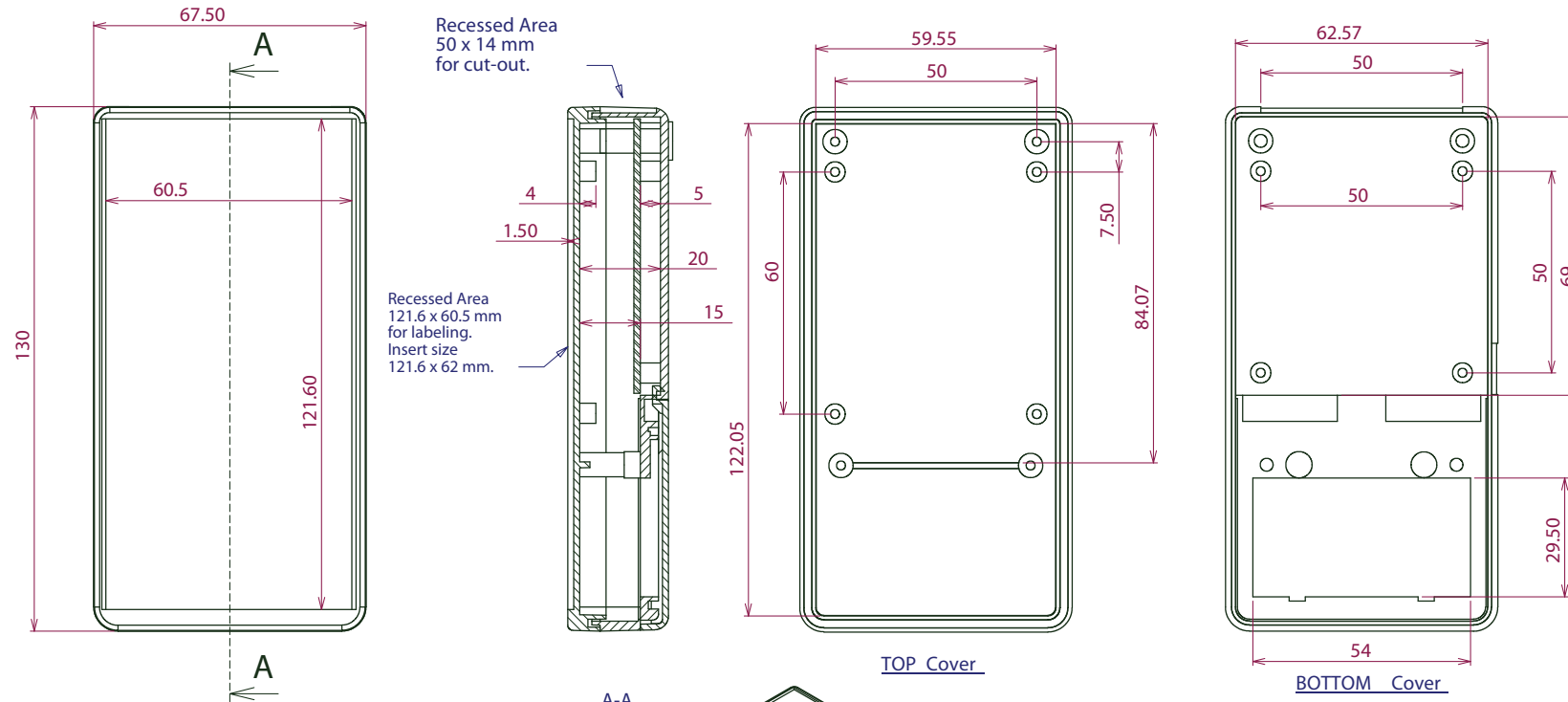
# ALTRONICS Specification Sheet

Phone: 1300 797 007    Internet: [www.altronics.com.au](http://www.altronics.com.au)  
 Fax: 1300 789 777    Email: [info@altronics.com.au](mailto:info@altronics.com.au)  
 International Phone: +61 8 9428 2188

Manufactures please note, we recommend that a sample is obtained to confirm suitability. Specifications subject to change without notice.E&OE. © Altronic Distributors Pty. Ltd. ABN 84 177 396 871

Revision Date: 11/06/2010

Altronics Part Number	Description	Supplier Ordering Info
H 0342	Hand Held Project Case 68W x 130D x 25H mm Grey	RH3015G
H 0343	Hand Held Project Case 68W x 130D x 25H mm Black	RH3051BK



Material: ABS UL-94HB, in L. Grey or Black.

- Hardware:
- 1 Fixing screws x 4 pcs.
  - 2 PCB mounting screw x 4 pcs.

Measurements given in mm.