

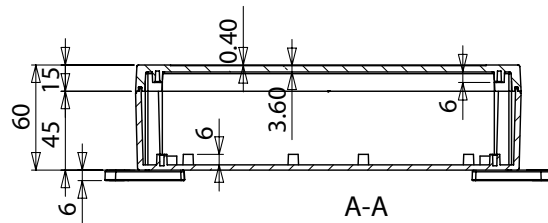
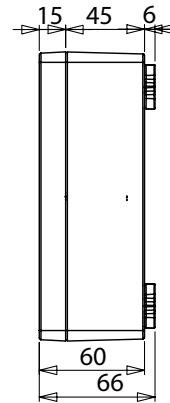
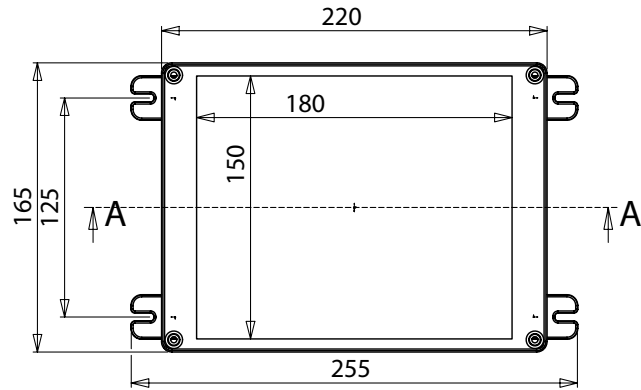
# ALTRONICS Specification Sheet

Phone: 1300 797 007    Internet: [www.altronics.com.au](http://www.altronics.com.au)  
 Fax: 1300 789 777    Email: [info@altronics.com.au](mailto:info@altronics.com.au)  
 International Phone: +61 8 9428 2188

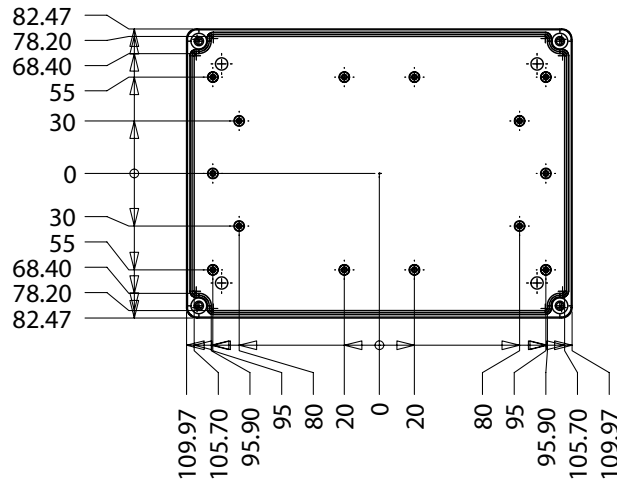
Manufactures please note, we recommend that a sample is obtained to confirm suitability. Specifications subject to change without notice.E&OE. © Altronic Distributors Pty. Ltd. ABN 84 177 396 871

Revision Date: 30/03/2010

Altronics Part Number	Description	Supplier Ordering Info
H 0332A	IP65 Sealed Enclosure with Clear Lid 220L x 165W x 60H mm	RP1455C ROHS

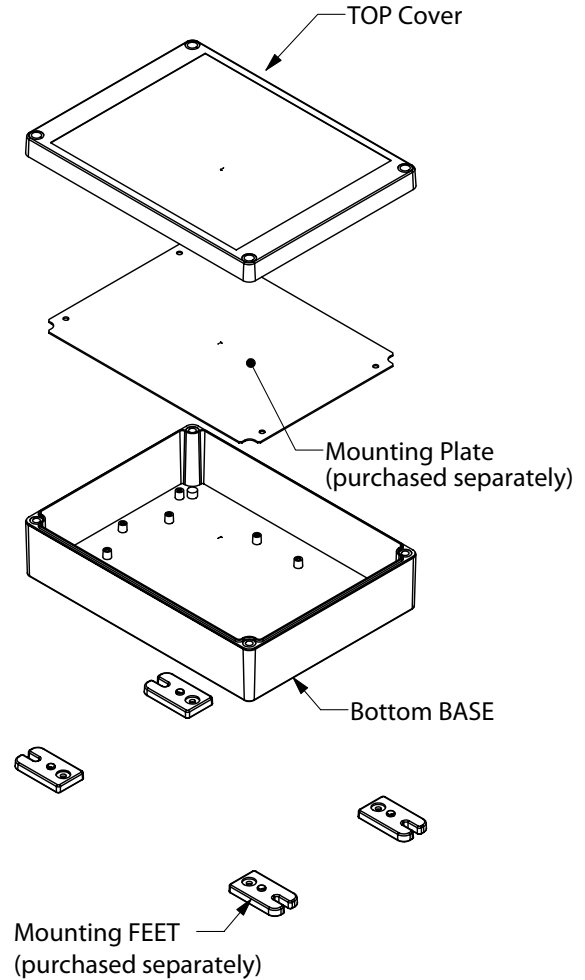


A-A  
1 : 2.5



RP1455 Sealed Enclosure  
 Size: 220x165x60mm  
 Material: ABS in light grey with clear lid  
 Water-Proof: IP65.  
 Temp.: +75°C~ -30°C

- Hardware:
1. Stainless screws x4.
  2. PCB screws x8.
  3. Sealing Gasket x1.



Measurements given in mm.