

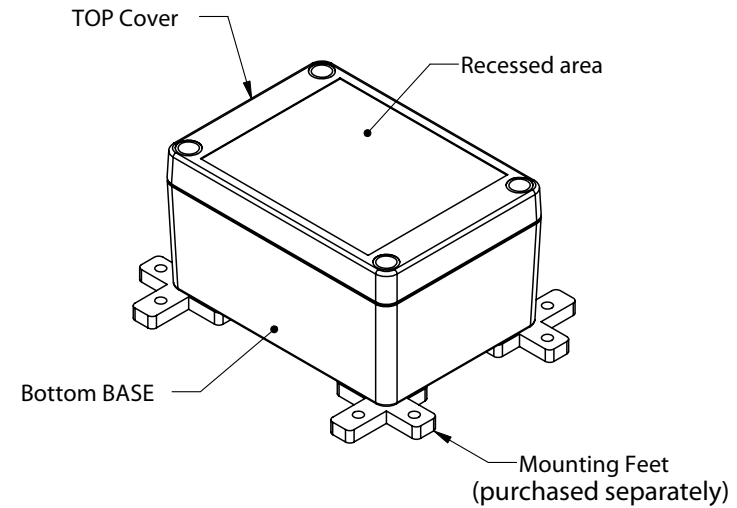
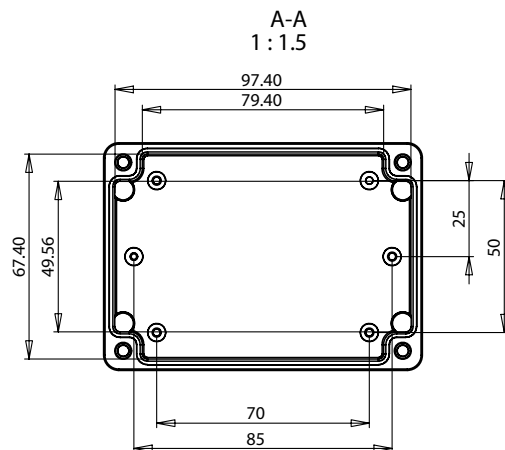
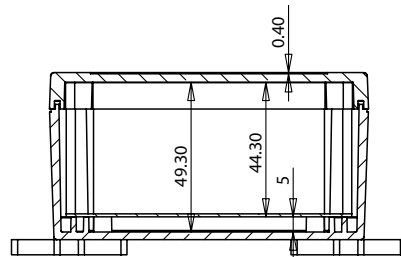
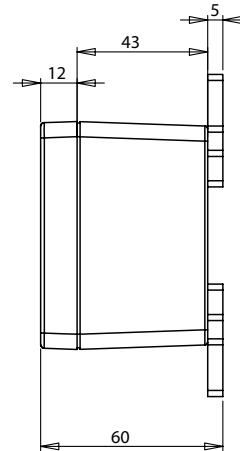
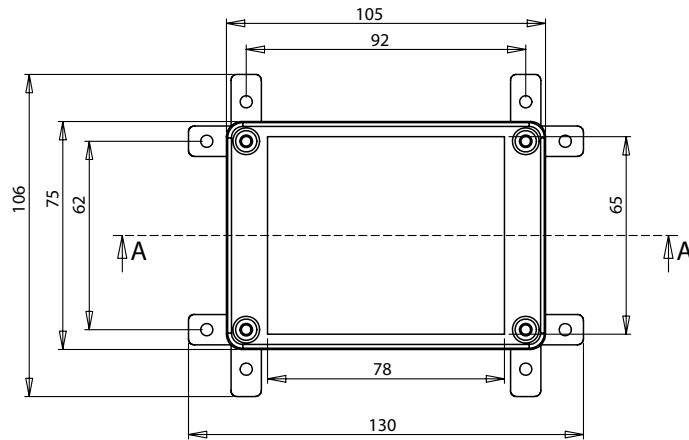
ALTRONICS Specification Sheet

Phone: 1300 797 007 Internet: www.altronics.com.au
 Fax: 1300 789 777 Email: info@altronics.com.au
 International Phone: +61 8 9428 2188

Manufactures please note, we recommend that a sample is obtained to confirm suitability. Specifications subject to change without notice.E&OE. © Altronic Distributors Pty. Ltd. ABN 84 177 396 871

Revision Date: 30/03/2010

Altronics Part Number	Description	Supplier Ordering Info
H 0323	IP65 Sealed Enclosure with Clear Lid 85L x 75W x 55H mm	RP1095C ROHS



Size: 105 x 75 x 55 mm.
 Material: ABS UL-94HB light grey box with clear lid.
 Waterproof: IP65
 Supplied:
 Stainless fixing screws x 4 pcs.
 EPDM gasket x 1.
 PCB mounting screw x 4 pcs.

Measurements given in mm.