

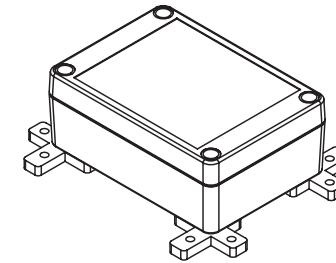
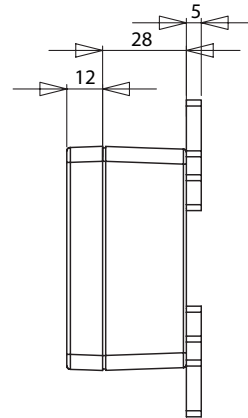
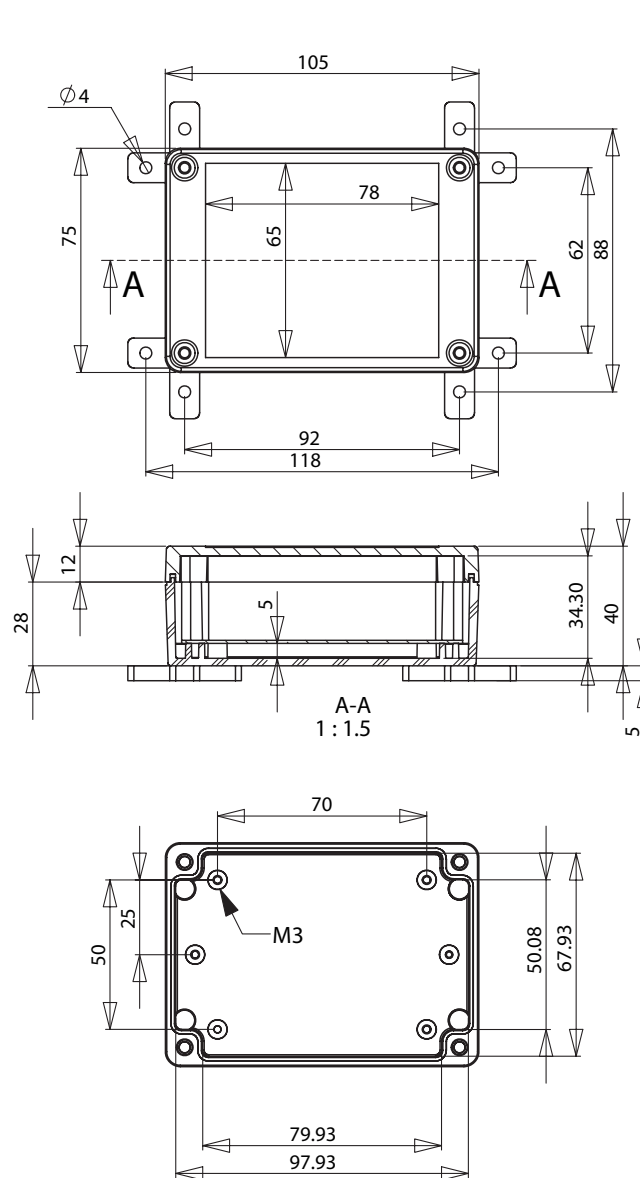
ALTRONICS Specification Sheet

Phone: 1300 797 007 Internet: www.altronics.com.au
 Fax: 1300 789 777 Email: info@altronics.com.au
 International Phone: +61 8 9428 2188

Manufacturers please note, we recommend that a sample is obtained to confirm suitability. Specifications subject to change without notice.E&OE. © Altronic Distributors Pty. Ltd. ABN 84 177 396 871

Revision Date: 30/03/2010

Altronics Part Number	Description	Supplier Ordering Info
H 0321	IP65 Sealed ABS Enclosure with Clear Lid 105L x 75W x 40H mm	RP1085C ROHS



Mounting feet purchased separately.

RP1085 Sealed Enclosure
 Size: 105 x 75 x 40 mm.
 Material: ABS UL-94HB light grey box with clear lid.
 Waterproof: IP65
 Supply:
 Stainless fixing screws x 4 pcs.
 EPDM gasket x 1.
 PCB mounting screw x 4 pcs.

Measurements given in mm.