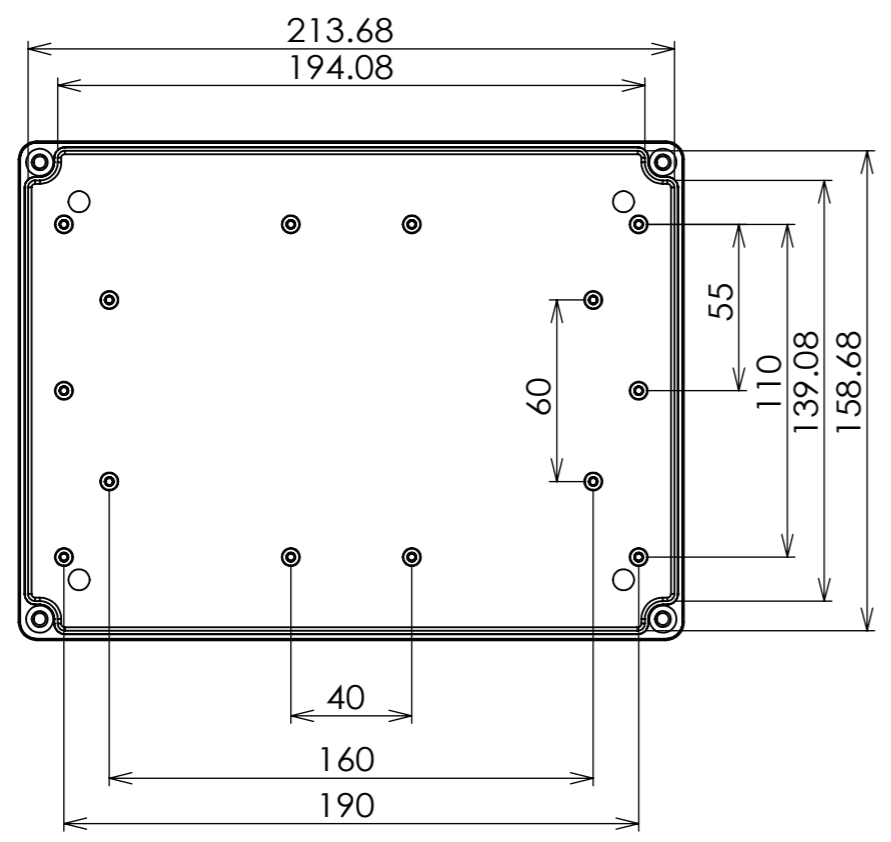
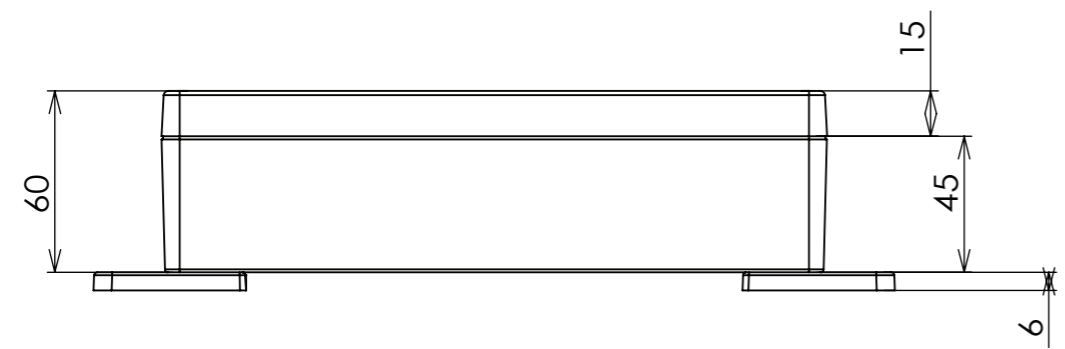
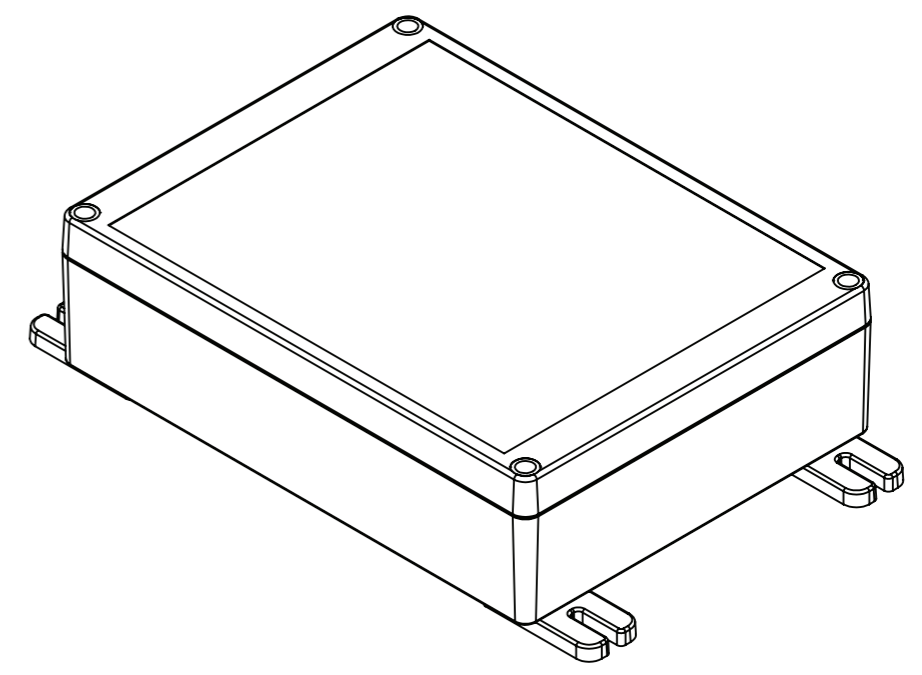


A-A (1 : 2.5)



H 0312A H 0332A Sealed Enclosure
Size: 220 x 165 x 60 mm.

Material: ABS.

Waterproof: IP65

Supply:

- 1, Stainless fixing screws x 4 pcs.
- 2, EPDM gasket x 1.
- 3, PCB mounting screw x 4 pcs.

Option:

- 1, Mounting Plate: HA0312A
- 2, Mounting Feet: H0370
- 3, ABS Grey Top Lid H 0312A.
- 4, PC Clear Top Lid H 0332A

Item	QTY	Specification	Remark
⊙	4	Design	Date
▱	1	Confirm	Scale
		File	
ALTRONICS H 0312A H 0332A Dimensions 220x165x60mm			Ver.
			Page
			v1.0