

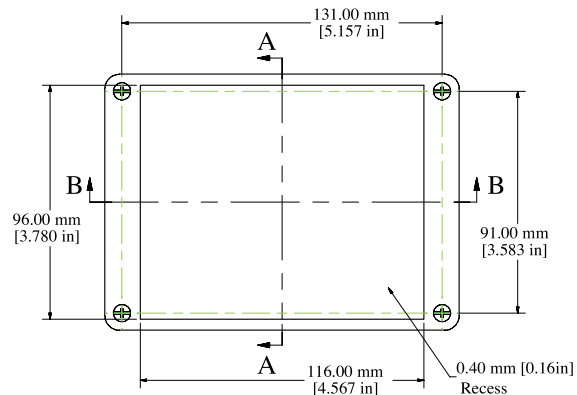
ALTRONICS Specification Sheet

Phone: 1300 797 007
 Fax: 1300 789 777
 International Phone: +61 8 9428 2188
 Internet: www.altronics.com.au
 Email: info@altronics.com.au

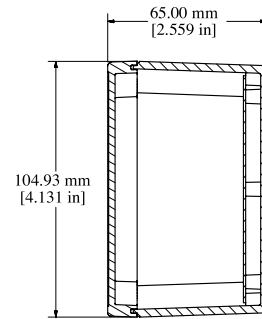
Manufactures please note, we recommend that a sample is obtained to confirm suitability. Specifications subject to change without notice.E&OE. © Altronic Distributors Pty. Ltd. ABN 84 177 396 871

Revision Date: 11/06/2010

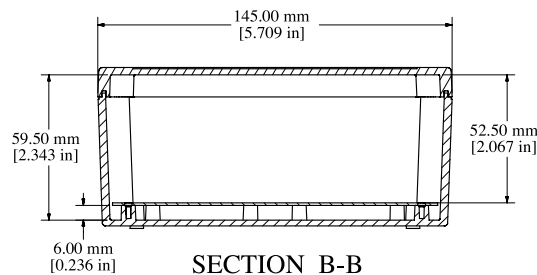
| Altronics Part Number | Description | Supplier Ordering Info |
|-----------------------|--|------------------------|
| H 0307 | Ritec® IP65 Sealed ABS Enclosure 145L x 105W x 65H (Grey Lid & Grey Base) | RP1215 |
| H 0327 | Ritec® IP65 Sealed ABS Enclosure 145L x 105W x 65H (Clear Lid & Grey Base) | RP1215C |



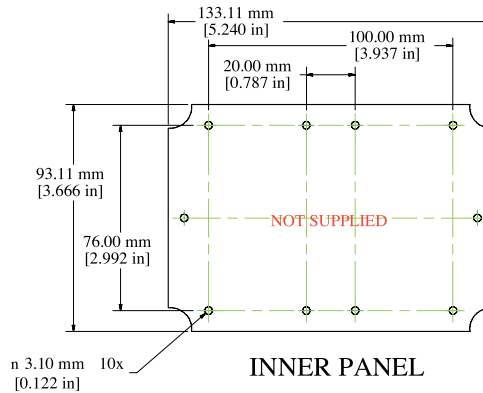
ASSEMBLY - TOP



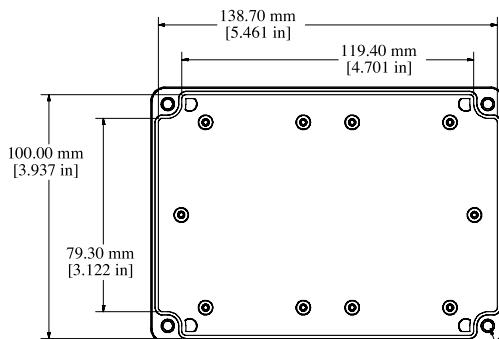
SECTION A-A



SECTION B-B

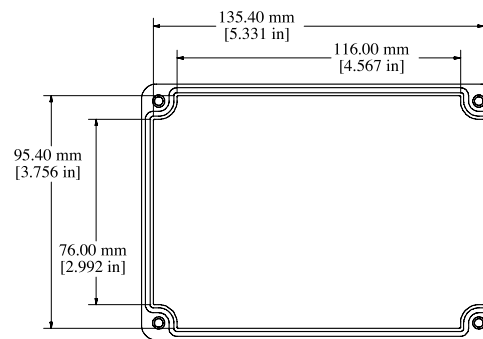


INNER PANEL



BOX - INSIDE

M3.5 Stainless Steel Lid Insert
 Type 304 Stainless 4X



LID - INSIDE

| RP1215 |
|---|
| Material: ABS (UL94-HB), Light Grey Color |
| Lid Screws: M3.5 x 10, 304 Stainless |
| Gasket: EDPM Cord. |
| Circuit Board Screws Supplied (M3 self tap) |
| Suggested Lid Screw Torque: 30 ozf-in (21 cN-m) |