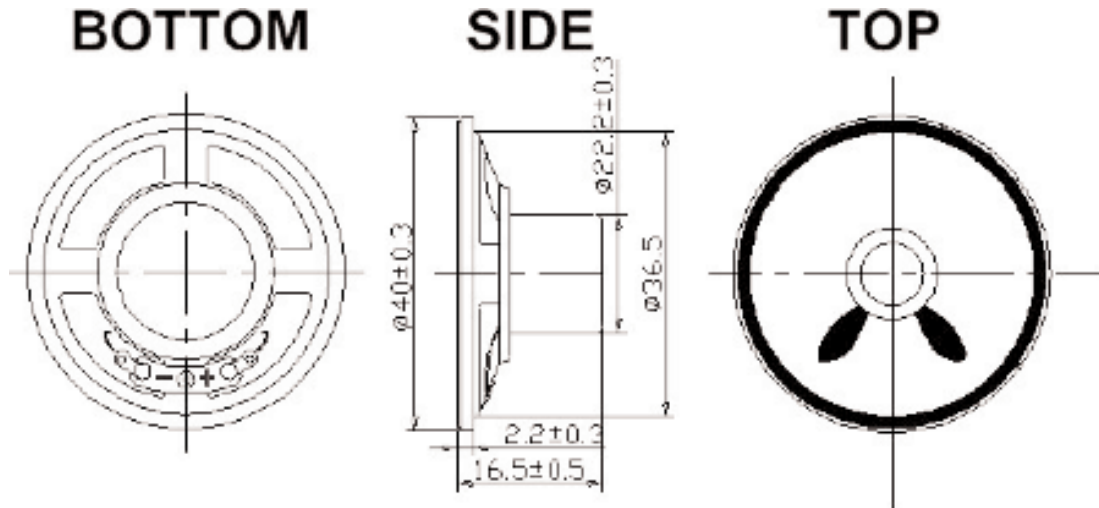


# Specification Sheet

Revision Date :02/11/09

DESCRIPTION: LOUD SPEAKER

PART NUMBER: C 0600A



PARAMETERS	VALUES	UNITS
*SOUND PRESSURE LEVEL	$94 \pm 3$	dBa
RESONANCE FREQUENCY (F <sub>0</sub> )	$700 \pm 20\%$	Hz
FREQUENCY RANGE	600 - 5,200	Hz
RATED IMPEDANCE (At 1KHZ, 1V)	$8 \pm 15\%$	Ohm
RATED POWER	0.10	W
MAX POWER	0.20	W
MAGNET	$\phi 12.5 \times 2.5$ NdFeB	-
OPERATING TEMPERATURE	-20 to +60	°C
STORAGE TEMPERATURE	-30 to +60	°C
HOUSING	METAL	-
DIAPHRAGM MATERIAL	MYLAR (Transparent)	-
WEIGHT	10	g

\*Tested at 0.1m 1W, 800, 1k, 1.2k, 1.5kHz Average