



Overview

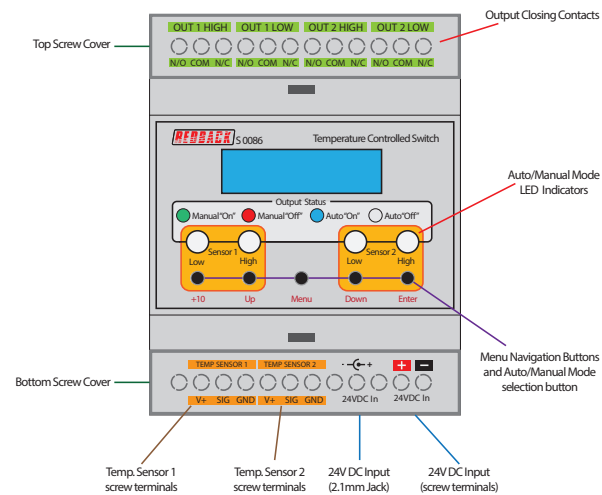
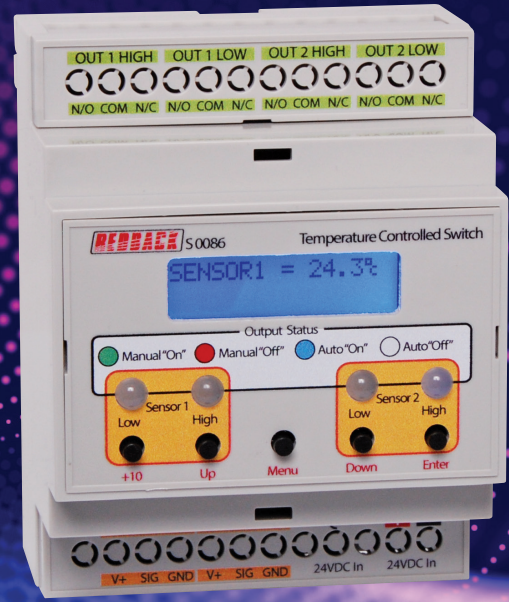
Designed in house by Altronics R&D, this compact unit has two inputs. Both can be arranged to be either a local sensor or a remote sensor. Local sensors simply connect directly to the screw terminals (one local sensor is supplied, an additional sensor is available separately, Z 6386). Remote sensors can be connected up to 200m away with a two core shielded cable.

Upper and lower temperature limits can be set for each input and if/when these limits are reached, the internal relay for that input will activate. User adjustable hysteresis is provided to prevent the relay cutting in and out. The relay could be used to sound an alarm, flash a light or operate a telephone dialler. Temperature range -49°C to 155°C.

It has a multitude of uses, including hot houses, plant rooms, machinery, wine cellars, cold rooms, refrigeration units etc. DIN rail mountable enclosure.

Features

- Australian made
- 10 year manufacturer warranty with local product support
- Adjustable upper and lower limits between -49°C to 155°C
- 2 independent inputs
- Adjustable hysteresis
- DIN rail mountable
- 12V or 24V DC operation
- 5A relay contacts



Specifications

Electrical	
Temperature range	-49°C to 155°C
Power input	12V/24V DC
Sensor distance	200m max
Controls	
Indicators	Output status for each sensor
Buttons	Menu, up, down, +10, enter
Options	DIP switch selectable (under lower terminal cover)
Mechanical	
DIN rail type	35mm
Dimensions	90W x 71D x 57H
Weight	≈0.4kg