

## Horn Speakers

### CF1520G

10W 100V IP66 AS ISO7240.24  
Fire Sound Projector - Grey

**REDBACK**®

#### Overview

These sound projector speakers are certified to the AS ISO7240.24 standard for fire & evacuation announcements in buildings. Used for fire and evacuation systems where a high degree of speech articulation and program clarity is paramount. Typical applications include schools, train and bus stations, airports, car parks and plant rooms. Utilises a twist lock cap mechanism to reduce installation time during cable termination. Available in 3 colours.

#### Features

- **Designed to meet AS ISO7240.24:2018 for fire/evac installations**
- **Requires no external EQ for AS ISO7240.24:2018 fire systems**
- Weather resistant
- Durable powder coated mounting bracket
- Stainless steel fixings
- Flame retardant



#### Test Method

This specification data was measured in an anechoic chamber with the microphone 4m from the speaker under test, according to the AS ISO7240.24. Specifications at 1m were calculated from the measurements at 4m in accordance with AS ISO7240.24.

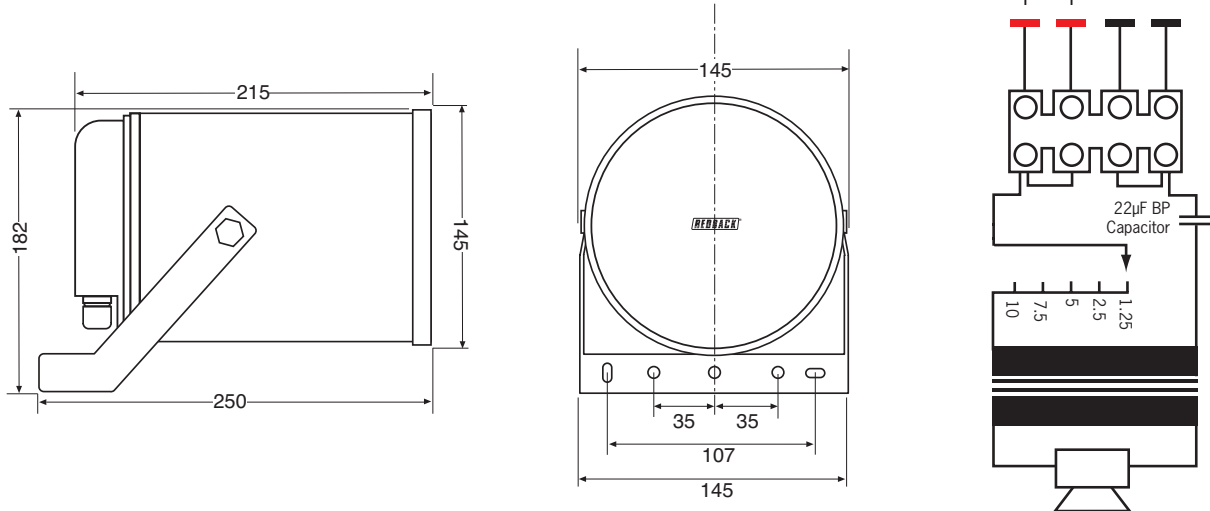
Reference axis: Axis is on the centre of the grille surface and perpendicular to the grille surface.

Reference plane: Plane is on the grille surface and perpendicular to the reference axis.

Horizontal plane: Plane is containing the reference axis and perpendicular to the reference plane.



### Dimensions (mm) & Transformer Details



### Specifications

Rated Noise Power	10 Watts (100V line)
Power Taps & Impedance (100V line)	1.25W (8kΩ), 2.5W (4kΩ), 5W (2kΩ), 7.5W (1.33kΩ), 10W (1kΩ)
Sensitivity	93dB (1W @ 1m), 81dB (1W @ 4m) 100dB (10W @ 1m), 88dB (10W @ 4m)
Maximum Sound Pressure	100Hz - 15kHz, 100Hz - 8kHz ±5dB
Level Frequency Response	500Hz: >180°, 1000Hz: 125°, 2000Hz: 100°, 4000Hz: 65°
Coverage Angle (-6dB)	4000Hz: 65°
Environmental Type	B (for outdoor applications as per standard)
Speaker Component	Aluminium voice coil former
Mounting Depth	250mm max
Mounting Method	Wall bracket with mounting holes
Line Monitoring	Yes, 22µF bipolar capacitor
Applicable Cable	2.5mm <sup>2</sup> (14AWG) max conductor area
Connection	4 way screw terminal
Finish	Flame retardant ABS (Absolac 300 MFR)
IP Rating	IP66
Dimensions	145Ø x 250Dmm
Weight	1.4kg
Quantities	6 per carton, 144 per pallet