

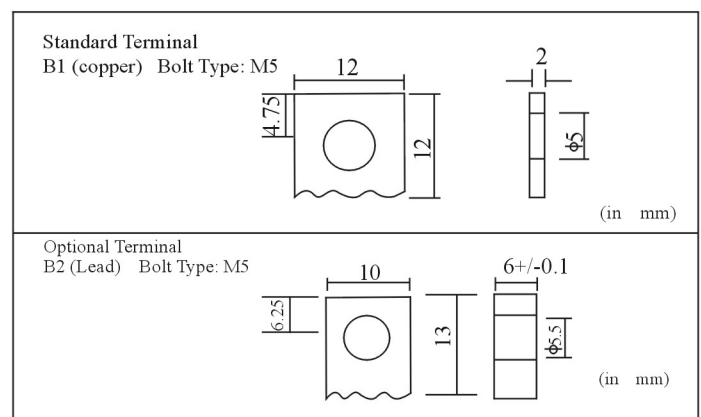
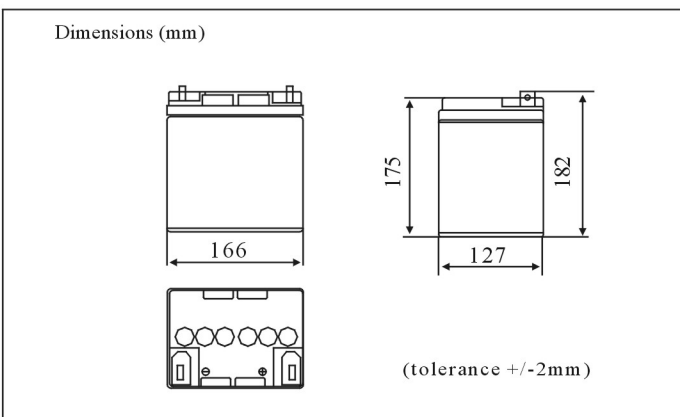
HT 12V26 (12V26AH)

Major Application(s):
Power System, U.P.S



PHYSICAL SPECIFICATION

Nominal Voltage		12V
Nominal Capacity (20HR)		26AH
Dimensions	Length	166 ± 1mm (10.31 inches)
	Width	127 ± 1mm (5.00 inches)
	Container Height	175 ± 2mm (6.90 inches)
	Total Height	182 ± 2mm (7.17 inches)
Weight		Approx 8.15kg (17.93bs)
Standard Terminal		B3- Bolt and Nuts Terminal Bolt Type: M5



ELECTRICAL SPECIFICATION

Capacity	20 hour rate (1.30A)	26.0AH	It is recommended to use constant-voltage charge and recharge immediately after use	
	10 hour rate (2.34A)	23.4AH		
	5 hour rate (4.16A)	20.8AH		
	1 hour rate (15.6A)	15.6AH		
Capacity affected by Temperature	40°C (104 °F)	105%	Constant-Voltage Charge	
	25°C (77 °F)	100%		
	0°C (32 °F)	85%		
Internal Resistance	Fully charged battery(25°C,77°F) 15m Ω		Cycle	
				Initial Charging Current less than 7.8A Voltage 14.40V~15.00V at 25°C (77°F) Temperature Coefficient -30mV/°C
			Standby	Voltage 13.5V~13.8V at 25°C (77°F) Temperature Coefficient -20 mV/°C

