

Perth (Head Office)
174 Roe Street
Perth WA 6000

Sydney
15 Short Street
Auburn NSW 2144

Melbourne
891 Princes Highway
Springvale VIC 3171

International
Phone: 61 8 9428 2188
Fax: 61 8 9428 2187

Australia-Wide Sales Hotline
Phone: 1300 797 007 Fax: 1300 789 777

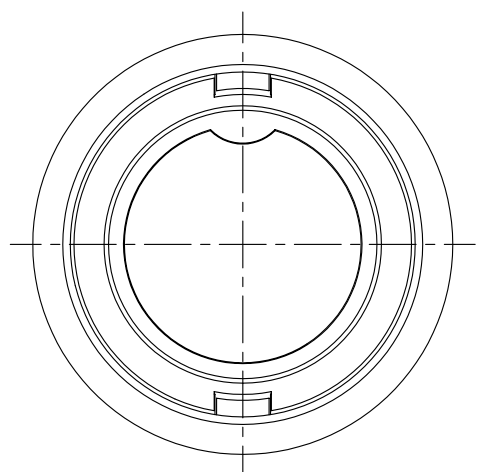
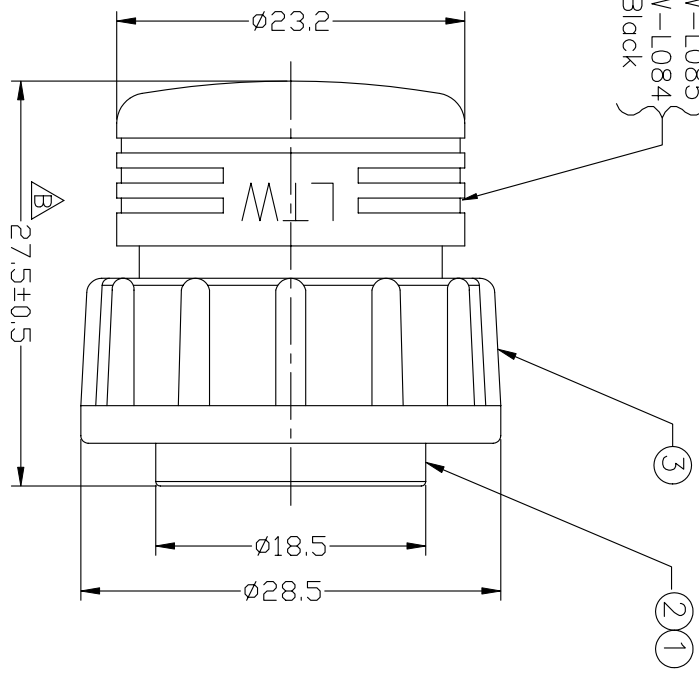
Order Online
www.altronics.com.au

Product Specification Sheet

Brand: LTW Technology

Part No	Description	Supplier Ordering Info
P 9539	CONN CAP W/PROOF - P 9526	LTW-MF18-LAPROHS

Inner Mold:LTW-L085
 Outer Mold:LTW-L084
 Color:Black



NO.	NAME	COLOR	SPECIFICATION	QTY	NOTE
3	Lock Nut	Black	Nylon+GF	1	ANB128AXX01
2	Ring	Black	EPDM	1	DDR0002EP70
1	Connector	Black	18Pin Female,Nylon+GF	1	ANB171CXX01

UNIT : mm		
TOLERANCE	± 0.25	
X	± 0.1	
XXX	± 0.05	
ANGLES	$\pm 1'$	

TITLE			
Waterproof Cap			
For 18Pin Male Connector Female Pin			
SCALE	2:1	SHEET	1 OF 1
REV/	B	DATE	2002/11/21
		SIZE	A4



亮泰企業股份有限公司

ITEM NO.	LTW-MF18-LA	DRAWN BY	Wu Dong	DATE	NOV/11/02
DWG NO.	LTW-MF18-LA	CHECKED BY		DATE	
CUSTOMER NO.		APPROVED BY		DATE	