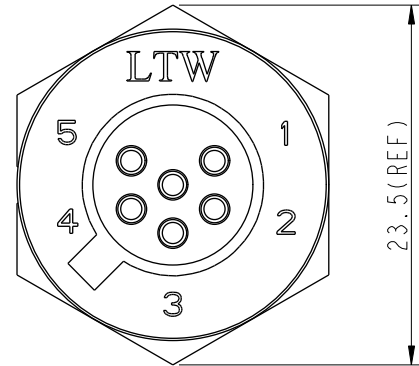
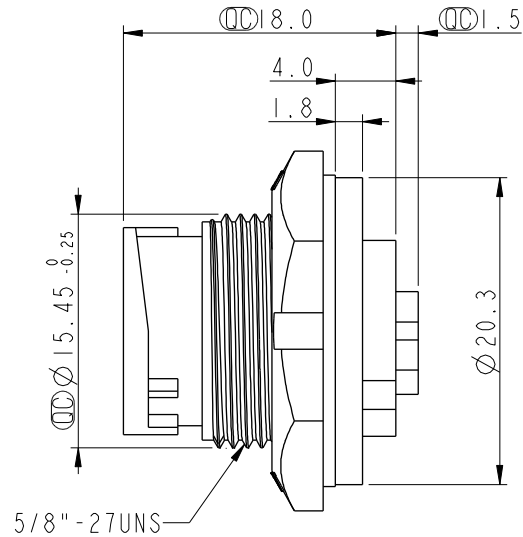
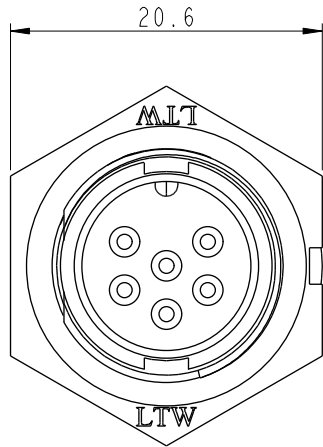


REV.	ECN NO.	DATE	SIGN	DESCRIPTION
B	LEN-8B0390	2008/09/17	Shin	Add Note

ALTW
CONFIDENTIAL
2012-03-26
R&D DEPT.

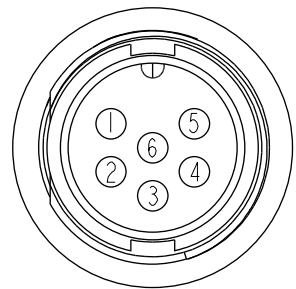
ALTW
DCC. DEPT.
CONFIDENTIAL
2012-04-03
ISSUED



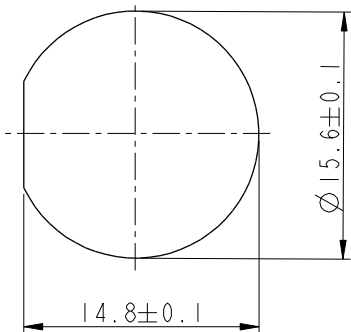
Note:

- * ⌀ Important Dimension To Check.
- * Waterproof Rate: IP67
- * Housing: Black, Nylon+GF
- * Pin: Copper Alloy, Gold Plated
- * Nut: Black, Nylon+GF
- * Gasket: Black, EPDM

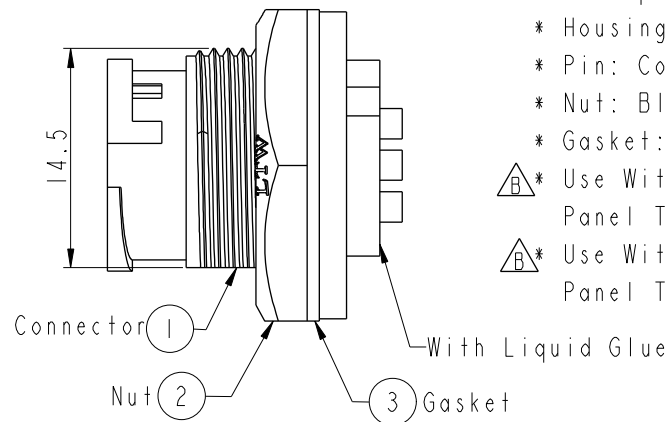
- $\triangle B$ * Use With Waterproof Cap Or Dust Cap
Panel Thickness Max: 3.0mm
- $\triangle B$ * Use Without Waterproof Cap Or Dust Cap
Panel Thickness Max: 4.5mm



Pin Assignments
Front View



Recommended Panel Cut-out



UNIT: mm	⌀	⌀
TOLERANCE		
.X	±0.25	
.XX	±0.1	
.XXX	±0.05	
ANGLES	±1°	

TITLE Standard Panel Lock 6Pin M Conn M Pin			
SCALE 2:1	SIZE A4	SHEET 1 OF 1	
REV. B	WC-REV. A.2	⌀ : Inspection item	

Amphenol LTW
安費諾亮泰企業股份有限公司

ITEM NO. BD-06PMMS-LC7001	DRAWN BY SamChang	DATE 2012-03-26
DWG NO. BD-06PMMS-LC7001	CHECKED BY Jeffrey	DATE 2012-04-03
CUSTOMER ALTW	APPROVED BY Lion	DATE 2012-04-03

THIS DOCUMENT IS SUBJECT TO CHANGE WITHOUT NOTICE. IT IS CONFIDENTIAL AND A PROPERTY OF Amphenol LTW. DISCLOSURE TO THIRD PARTY HAS TO BE AUTHORIZED BY Amphenol LTW.