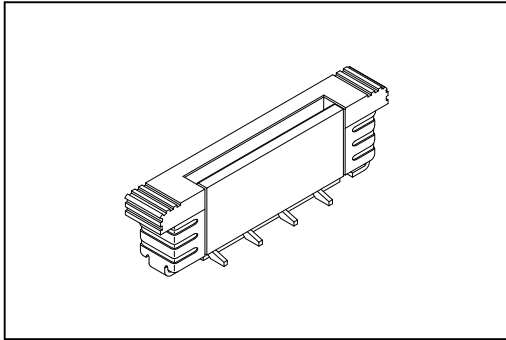


2434 Series

FFC/FPC Connector 1.0mm(0.039") SMD ZIF Type



Material:

Housing: High Temperature Plastic UL94V-0.

Contacts: Copper Alloy.

Solder Pad: Copper Alloy.

Electrical Characteristics:

Current Rating: 0.5 A.

Dielectric Withstanding Voltage: AC 500V.

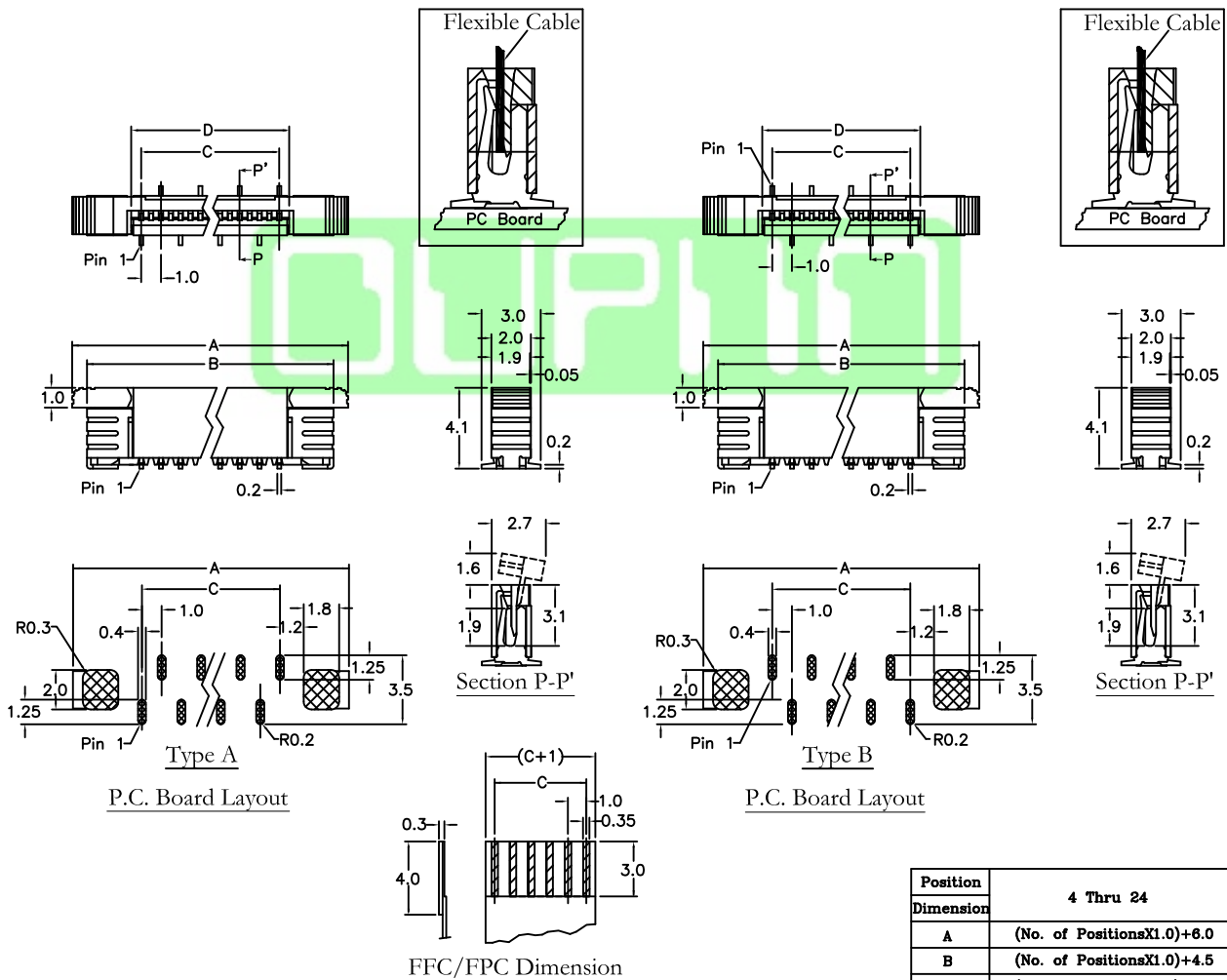
Insulator Resistance: 500MΩ min.

Contact Resistance: 30mΩ max.

Operating Temperature: -55°C~+105°C.

Features:

- * ZIF, Surface Mount, Vertical.
- * Size 4 through 24 available.
- * For 0.30mm(0.0118") thick FFC/FPC.



Ordering Information

2434-

24

T

D

3

A

T

- M

Series

No. of

Pin Count

T: Tin Plated

D: SMD Type

3: Vertical Type

A: Type A

B: Type B

U: Tube Package

T: Tape & Reel Package

Blank: Without Pad

M: Metal Pad