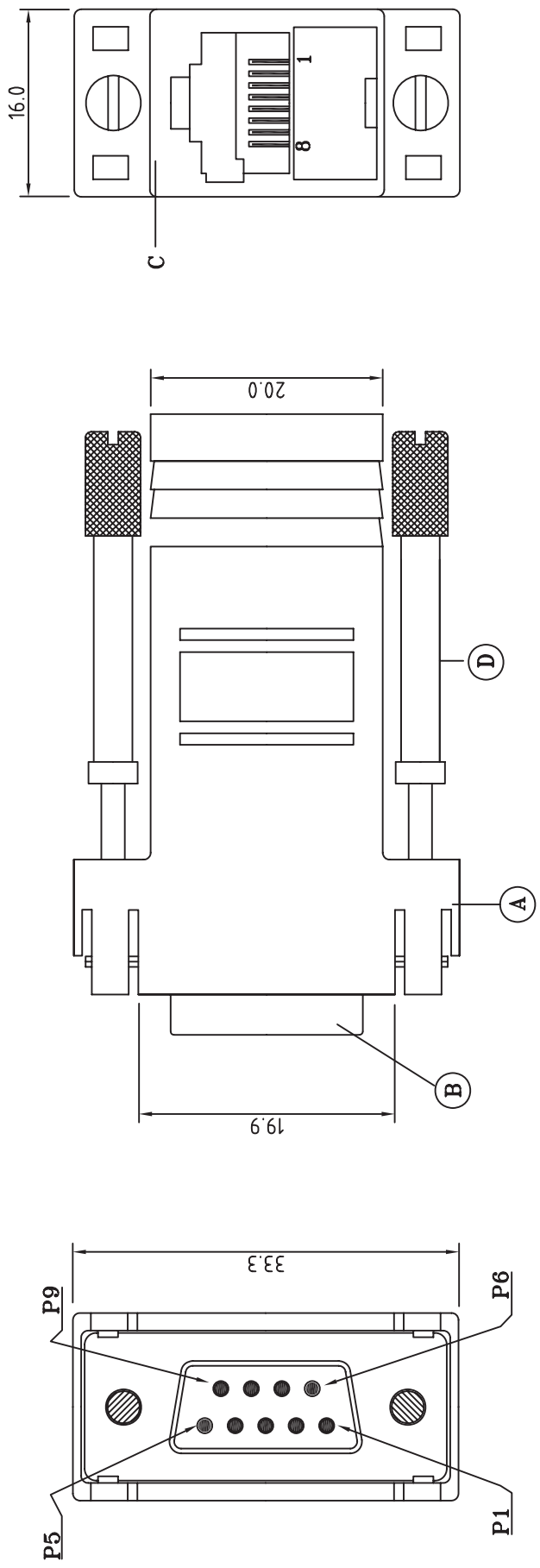


REV.	DATE	FILE No.
1.0	2014-6-5	CC335M-8P8C



SPECIFICATION:

NO	PART NAME	MATERIAL	COLOR	QTY.
A	CC335 OUTSIDE COVER	ABS	BLACK	1
B	9PIN D-SUB MALE	ABS/P.B.	BK/NI	1SET.
C	8P8C MODUALR JACK	ABS	BLACK	1SET.
D	SCREW	MILD STEEL	NICKEL	2PCS

NOTE:ALL MATERIALS ARE COMPLIANCE TO "RoHS".

WIRING DIAGRAM

8P8C JACK	COLOR
1	BLUE
2	ORANGE
3	BLACK
4	RED
5	GREEN
6	YELLOW
7	BROWN
8	WHITE

CUSTOMER: MASTER		ALTRONICS P 1690
CUST P/N: P1690		
S/O:	S/N:	PART No.: CC335M-8P8C/BK-25B
DRAWING No.	CC-335-04(1.0)	PART NAME: 5001 DB9M TO 8P8C MODULAR JACK
DRAWING BY	ZHONGJIAO	UNLESS OTHERWISE SPECIFIED ALL DIMENSIONS ARE IN MM TOLERANCE:DECIMAL .X ±0.1 .XX ±0.05 ANGLE ±1/2° SCALE NO
CHECKED BY	ZHONGJIAO	
APPROVER BY	CHENHAN	